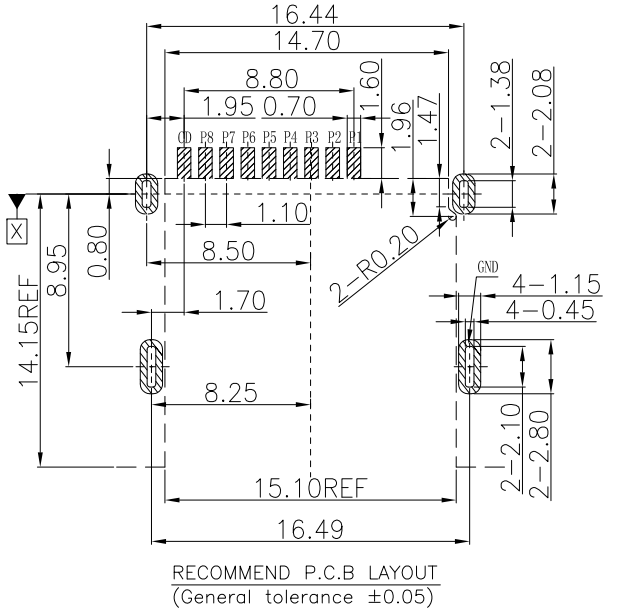
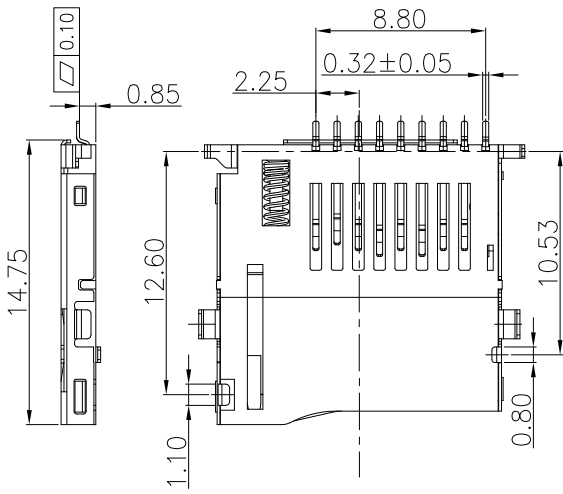
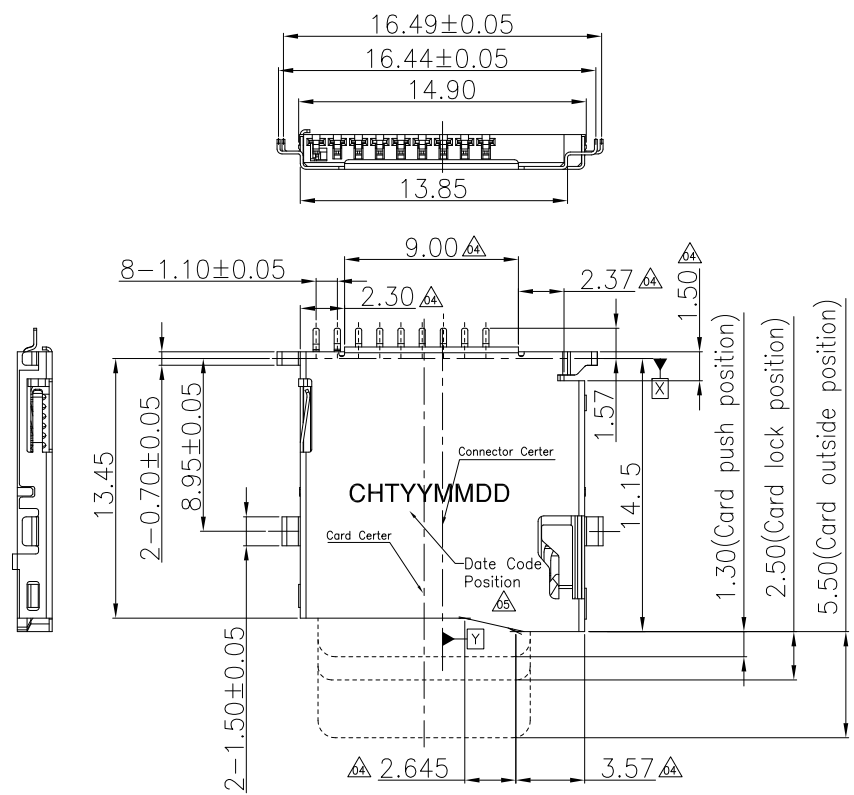
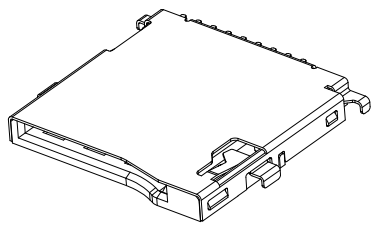
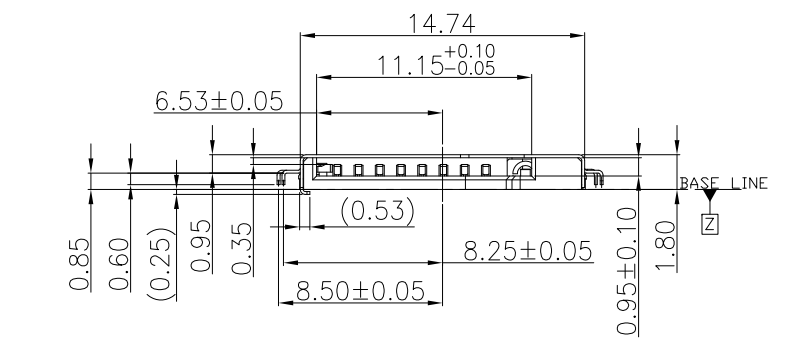


REVISION HISTORY			
REV	DESCRIPTION	Drawing	DATE
05	增加Date Code	Allen	2019/11/26



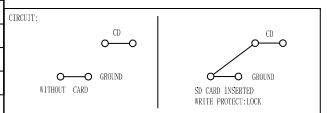
RECOMMEND P.C.B LAYOUT
(General tolerance ±0.05)

- PAD AREA
- KEEP OUT AREA
- GND PATTERN ONLY



- NOTES:
- MATERIAL:
 - 1.1 PLASTIC: LCP , UL 94V-0, COLOR: BLACK
 - 1.2 CONTACT: COPPER ALLOY
 - 1.3 SHELL: STAINLESS STEEL
 - FINISH:
 - 2.1 TERMINAL: 50μ" MIN. NICKEL PLATED OVERALL
 - 2.2 CONTACT: SELECTIVE GOLD PLATED, SEE TABLE A
 - 2.3 TAIL: 100μ" MATT-TIN PLATED
 - 2.4 SHELL: 50μ" MIN. NICKEL PLATED OVERALL
 - PRODUCT SPECIFICATION REFER TO SP-A0773-01
 - PACKAGE DRAWING REFER TO PA0773-01
 - PRODUCT MUST CONFORM TO RoHS AND HALOGEN FREE REQUIREMENT

PIN NO.	PIN ASSIGNMENT
P1	DAT2
P2	CD/DAT3
P3	CMD
P4	VDD
P5	CLK
P6	VSS
P7	DAT0
P8	DAT1
CD	CD



TABLE

FIH P/N	TABLE A GOLD PLATING THICKNESS
A0773-0003	Au30u
A0773-0001	G/F

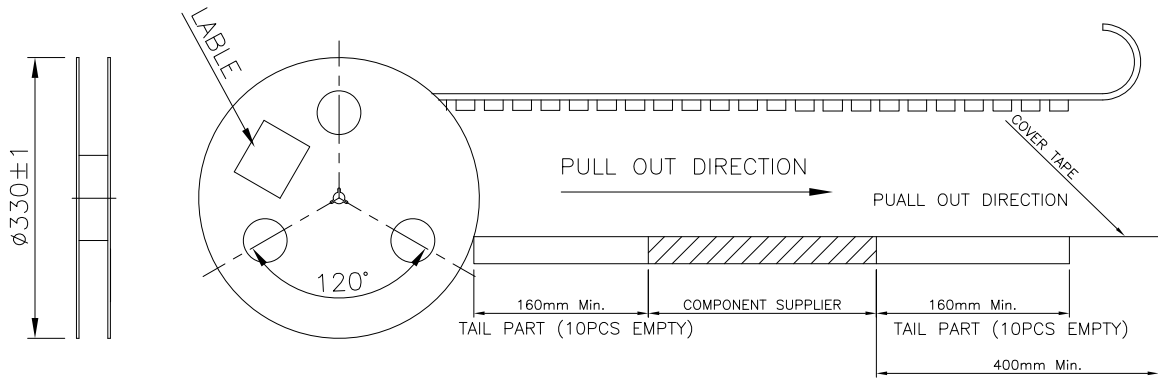
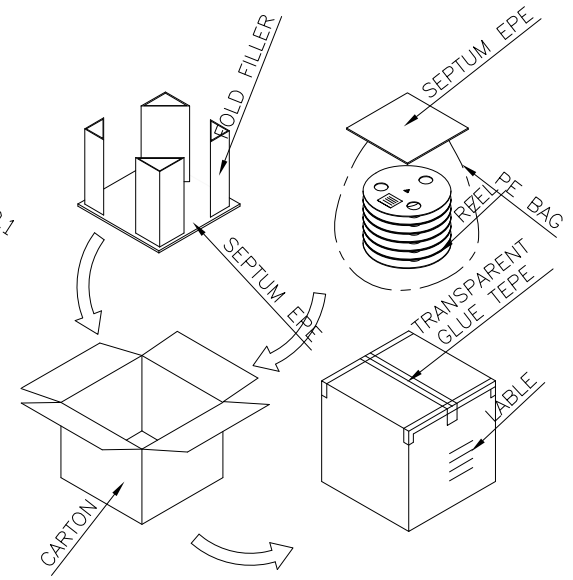
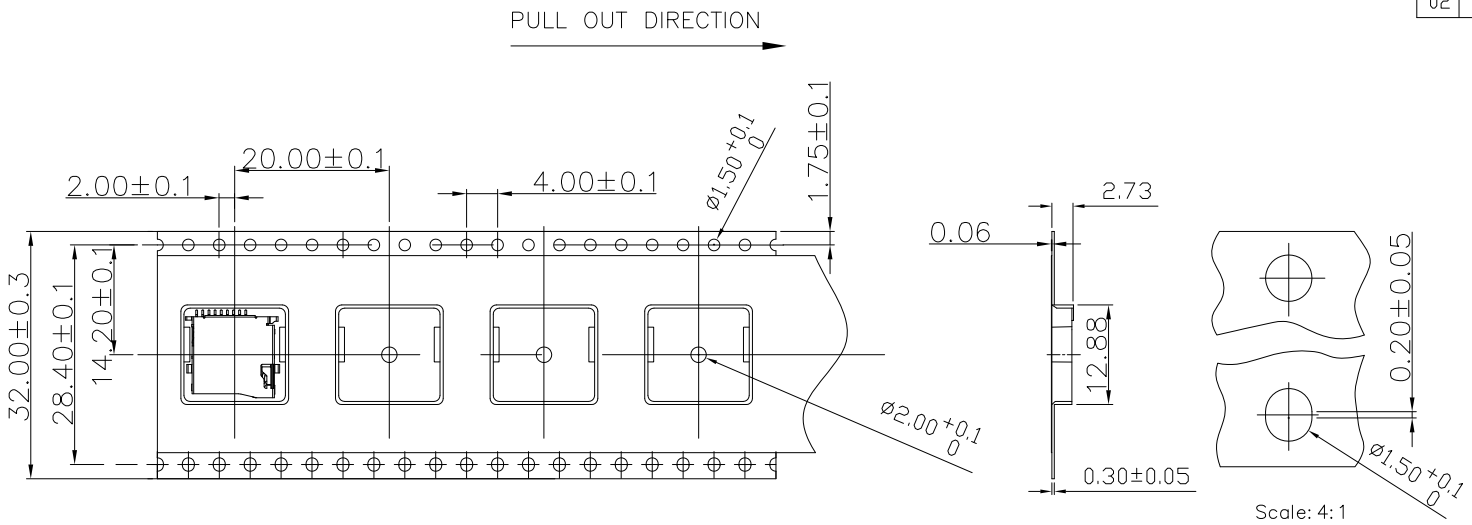
PRODUCT SPECIFICATION: DOC.No: SP-AXXXX-XX	SCALE 1 : 1	DESIGN UNITS mm
TEST REPORT DOC.No: TR-AXXXX-XX	DRAWN Mei Chen	DATE 2019/10/23
GENERAL TOLERANCES (UNLESS SPECIFIED)	CHECKED	DATE
X.XXX ± 0.10	APPROVED	DATE
X.XX ± 0.25	DWG NO. SA0773-001	
X.X ± 0.38		
ANGULAR ± 3°		
THIRD ANGLE PROJECTION		

CHT 群匯科技股份有限公司
CHIUN HUEI Technology CO., LTD.

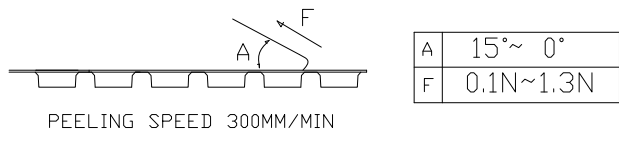
TITLE
Micro SD Push Push Connector
Top Type, Sink H=1.8

PART NO. TABLE A	DWG REV. 05	SHEET NO. 1 OF 1
---------------------	----------------	---------------------

REVISION HISTORY			
REV	DESCRIPTION	Drawing	DATE
02	鐵殼外觀修改	Allen	2019/11/14



1. COVER TAPE PEELING FORCE:



2. PART DIMENSIONS MEET EIA-481-2-A REQUIREMENT

PRODUCT P/N	PARTS PER SHIPPING CARTON	PARTS PER REEL (S.P.Q.)	TOTAL REELS PER SHIPPING CARTON
A0773-0003	10000(PCS)	1000(PCS)	10
A0773-0001			
PRODUCT SPECIFICATION DDC No: SF-Axxxx-xx TEST REPORT DDC No: TR-Axxxx-xx GENERAL TOLERANCES (UNLESS SPECIFIED)	SCALE 1 : 1	DESIGN UNITS mm	CHT 群匯科技股份有限公司 CHIUN HUEI Technology CO., LTD.
X.XXX ± 0.10	DRAWN Allen	DATE 2019/11/04	
X.XX ± 0.25	CHECKED	DATE	
XX ± 0.38	APPROVED	DATE	
ANGULAR ± 3°	TITLE Micro SD Push Push Connector Top Type, Sink H=1.8		
THIRD ANGLE PROJECTION	DWG NO. PA0773-001	PART NO. see tabel	DWG REV. 2
			SHEET NO. 1 OF 1