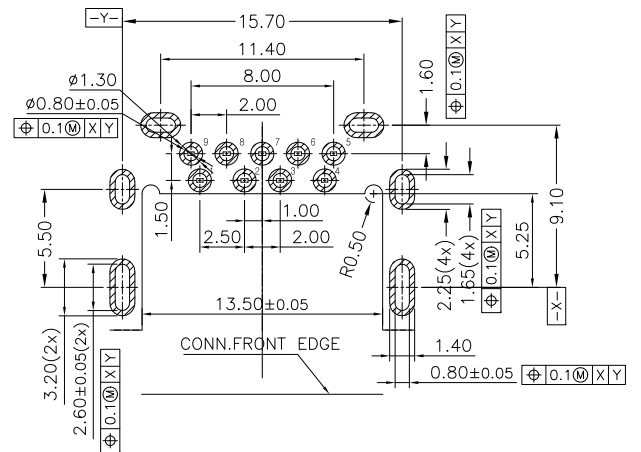
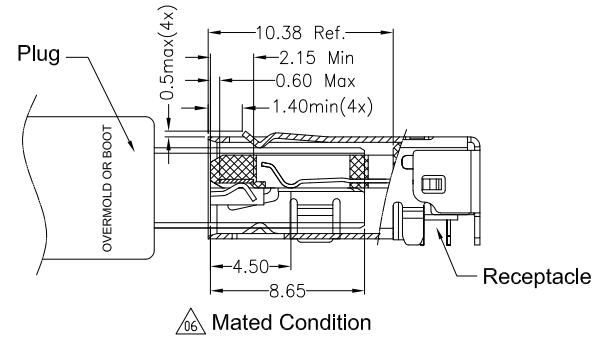
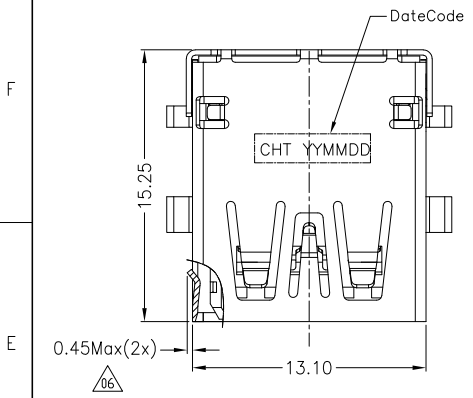
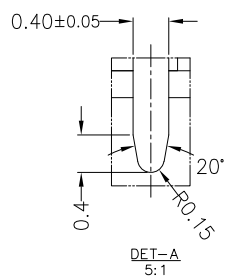
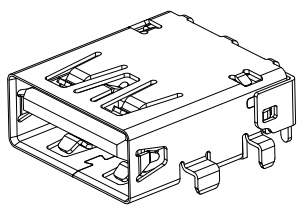
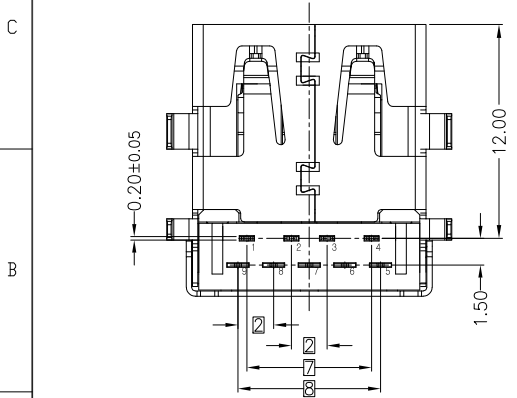
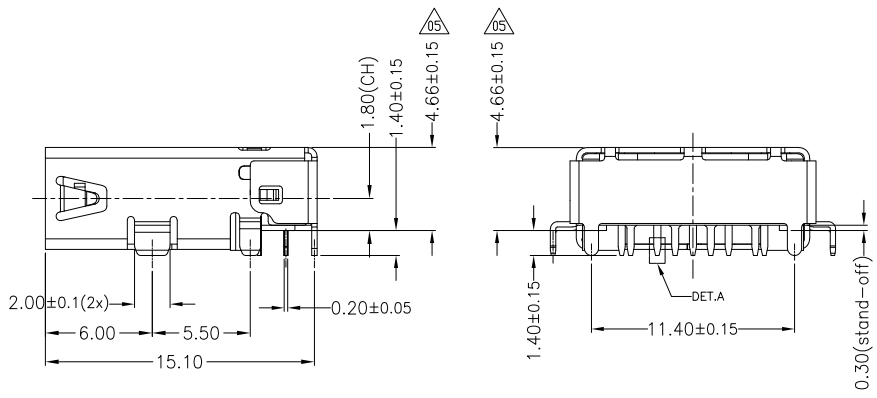
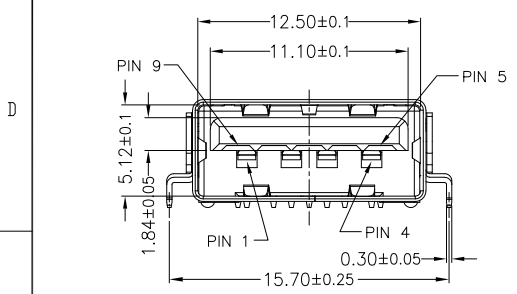


REVISION HISTORY			
REV	DESCRIPTION	Drawing	DATE
01	PROPOSAL	Mei Chen	2017/07/10
02	PROPOSAL	Mei Chen	2017/07/13
03	PROPOSAL	Mei Chen	2017/07/14
04	PROPOSAL	Mei Chen	2017/08/23
05	增加尺寸	Mei Chen	2018/01/26
06	增加尺寸	Mei Chen	2018/10/23



RECOMMENDED PCB LAYOUT (TOP VIEW)  
GENERAL TOLERANCES: ±0.05 (t=1.0)

- NOTE:
- MATERIAL:
    - INSULATOR: HIGH TEMPERATURE THERMOPLASTIC, UL94V-0, COLOR: BLACK
    - CONTACT: COPPER ALLOY.
    - SHELL: STAINLESS
  - FINISH:
    - TERMINAL: 50μ" MIN. NICKEL PLATED OVERALL
    - CONTACT: SELECTIVE GOLD PLATED, SEE TABLE A
    - TAIL: 100μ" MIN MATT-TIN PLATED
    - SHELL: 80μ" MIN. NICKEL PLATED OVERALL
  - PRODUCT SPECIFICATION REFER TO SP-A0525-01
  - PACKAGE DRAWING REFER TO PA0525-01
  - PRODUCT MUST CONFORM TO RoHS AND HALOGEN FREE REQUIREMENT



Contact Number	Signal Name
PIN1	VBUS
PIN2	D-
PIN3	D+
PIN4	GND
PIN5	StdA_SSRX-
PIN6	StdA_SSRX+
PIN7	GND_DRAIN
PIN8	StdA_SSTX-
PIN9	StdA_SSTX+
Shell	Shield

TABLE

FIH P/N	TABLE A GOLD PLATING THICKNESS
A0525-1003	30U", BLUE
A0525-1001	G/F, BLUE
A0525-0003	30U", BLACK
A0525-0001	G/F, BLACK

PRODUCT SPECIFICATION: DDC.No: SP-A0525-001	SCALE 1 : 1	DESIGN UNITS mm
TEST REPORT DDC.No: TR-A0525-001	DRAWN Mei Chen	DATE 2017/07/10
GENERAL TOLERANCES (UNLESS SPECIFIED)	CHECKED	DATE
X.XXX ± 0.20		
X.XX ± 0.20		
X.X ± 0.25		
ANGULAR ± 3°	APPROVED	DATE
THIRD ANGLE PROJECTION	DWG NO. SA0525-001	

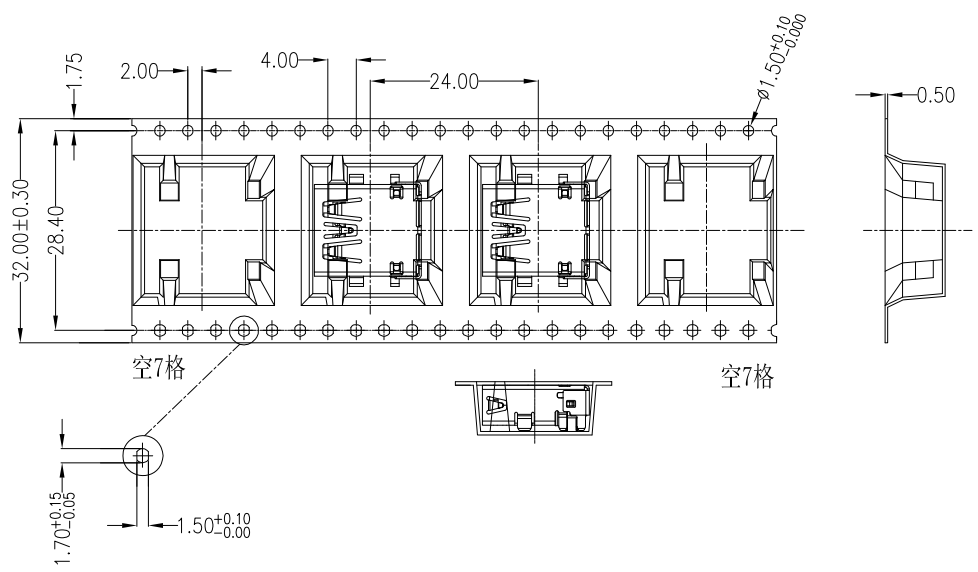
**CHT 群匯科技股份有限公司**  
CHIUN HUEI Technology CO., LTD.

TITLE  
USB3.1 Rece. A Type 90° DIP  
Type CH=1.8MM Product

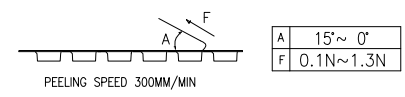
PART NO. SEE TABLE	DWG REV. 06	SHEET NO. 1 OF 1
-----------------------	----------------	---------------------

REVISION HISTORY			
REV	DESCRIPTION	Drawing	DATE
01	PROPOSAL	Mei Chen	2017/08/07
02	PROPOSAL	Mei Chen	2017/08/22

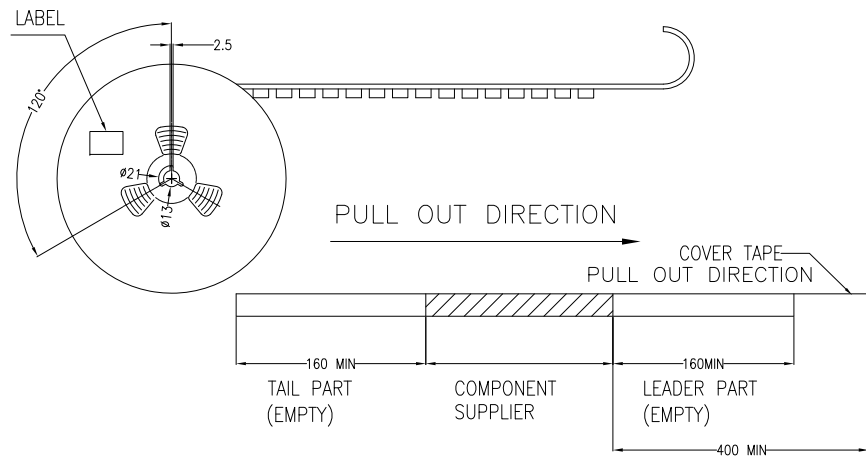
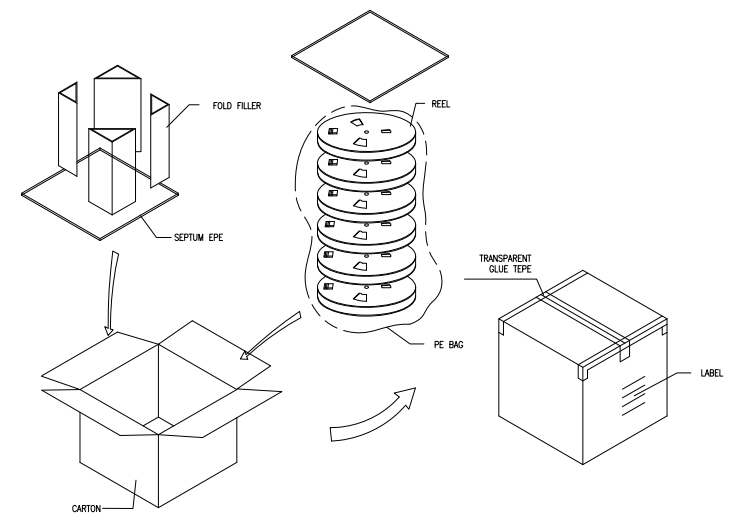
INPUT MATERIAL DIRECTION →



- 1. QUANTITY: 350 PCS
- 2. COVER TAPE PEELING FORCE:



3. PART DIMENSIONS MEET EIA-481-D REQUIREMENT



TABLE

PRODUCT P/N	PARTS PER SHIPPING CARTON	PARTS PER REEL	LOADED REEL PER SHIPPING CARTON
A0525-1003	3500	350	10
A0525-1001			
A0525-0003			
A0525-0001			

PRODUCT SPECIFICATION: DDC.No: SF-AXXXX-XX	SCALE 1:1	DESIGN UNITS mm
TEST REPORT DDC.No: TR-AXXXX-XX	DRAWN Mei Chen	DATE 2017/08/07
GENERAL TOLERANCES (UNLESS SPECIFIED):	CHECKED	DATE
X.XXX ± 0.10	APPROVED	DATE
X.XX ± 0.25	ANGULAR ± 3°	
X.X ± 0.38	DWG NO. PA0525-001	PART NO. SEE TABLE
THIRD ANGLE PROJECTION	DWG REV. 02	SHEET NO. 1 OF 1

**CHT** 群匯科技股份有限公司  
CHIUN HUEI Technology CO., LTD.

TITLE  
USB3.1 Rece. A Type 90° DIP Type  
CH=1.8MM Product