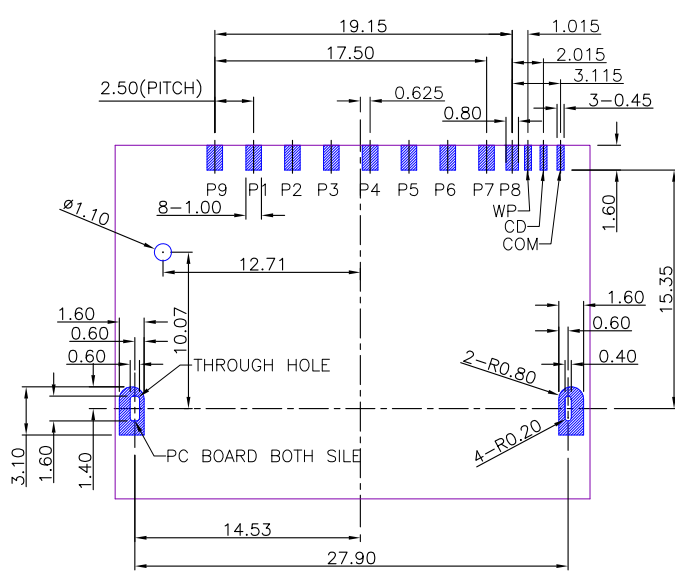
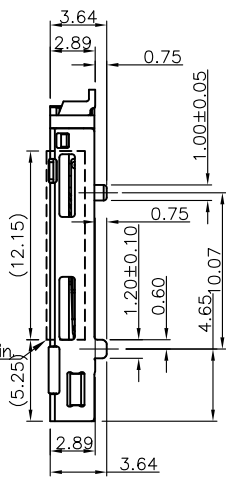
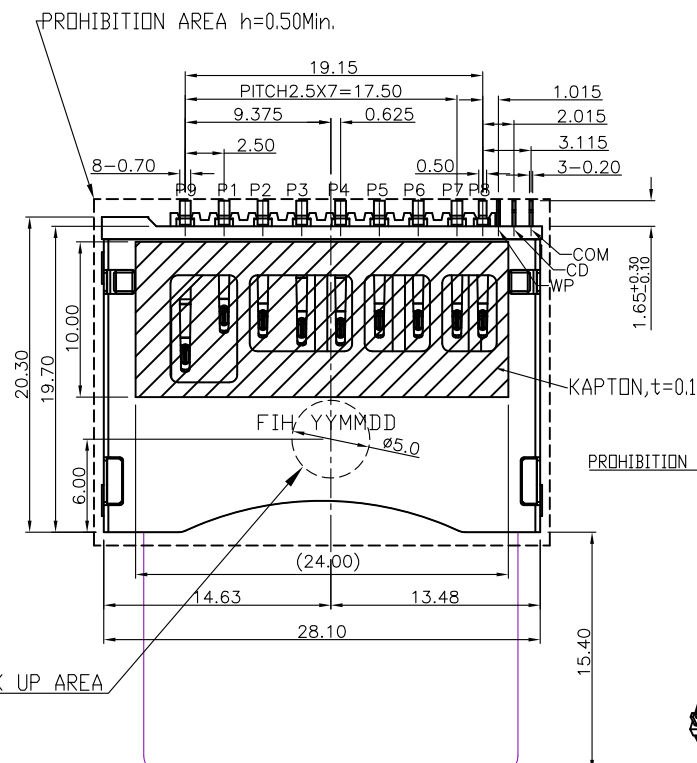
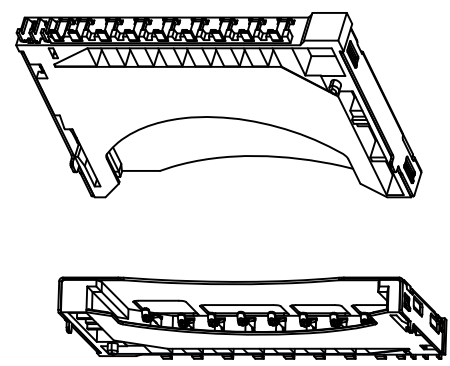
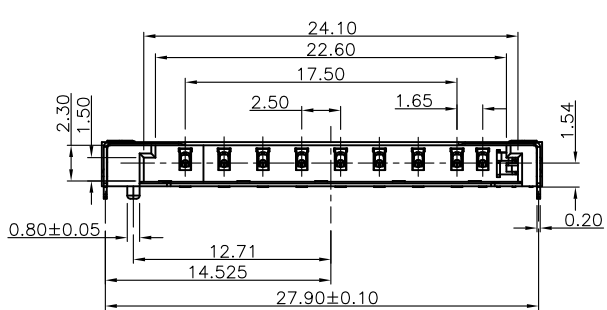


REVISION HISTORY			
REV	DESCRIPTION	Drawing	DATE
01	PROPOSAL	Mei Chen	2017/07/18



RECOMMEND P.C.B LAYOUT  
GENERAL TOLERANCE ±0.05



- NOTES:
- MATERIAL:
    - HOUSING: LCP UL94 V-0 , COLOR: BLACK.
    - CONTACT: C5210
    - SHELL: SUS304
    - KAPTON: PI FILM, HIGH TEMP.
  - PLATING:
    - CONTACT: GOLD FLASH ON CONTACT AREA  
100 μ" MIN. MATTE-TIN ON SOLDERING TAILS  
50 μ" MIN. NICKEL UNDERPLATING OVER ALL
    - SHELL: 50 μ" MIN. NICKEL UNDERPLATING OVER ALL
  - PACKAGING DRAWING REFER TO PA0131-001
  - DATE:YY(YEAR),MM(MONTH),DD(DDATE).

PIN NO.	SD NAME	MMC NAME
P1	CD/DAT3	RSV
P2	CMD	CMD
P3	VSS	VSS
P4	VDD	VDD
P5	CLK	CLK
P6	VSS	VSS
P7	DAT0	DAT
P8	DAT1	
P9	DAT2	

PRODUCT SPECIFICATION: DOC.No: SP-A0119-01	SCALE 1 : 1	DESIGN UNITS mm
TEST REPORT DOC.No: TR-A0289-01	DRAWN Mei Chen	DATE 2017/07/18
GENERAL TOLERANCES (UNLESS SPECIFIED)	CHECKED	DATE
X.XXX ± 0.20	APPROVED	DATE
X.XX ± 0.20		
X.X ± 0.25		
ANGULAR ± 3°		
THIRD ANGLE PROJECTION	DWG NO. SA0527-001	PART NO. A0527-0001

FULLINHOPE Technology, LTD.		
TITLE SD CARD CONNECTOR TYPE FOR REVERSE		
DWG REV. B	SHEET NO. 1 OF 2	

WITHOUT CARD	CD —○— CD/WP COM WP —○— CD/WP COM
INSERTED CARD(UNLOCK)	CD —○— CD/WP COM WP —○— CD/WP COM
INSERTED CARD(LOCK)	CD —○— CD/WP COM WP —○— CD/WP COM

10

9

8

7

6

5

4

3

2

1

F

F

E

E

D

D

C

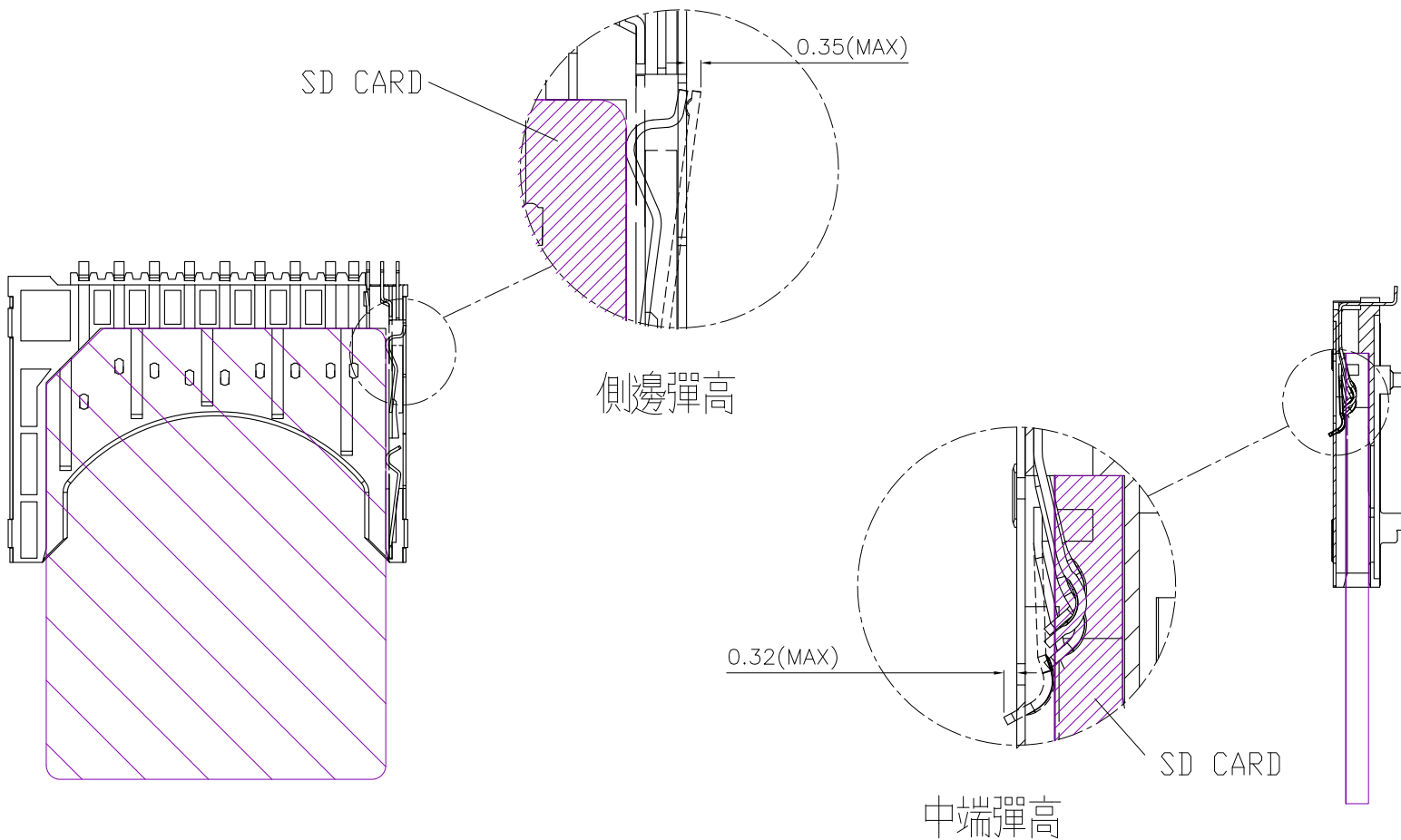
C

B

B

A

A



PRODUCT SPECIFICATION: DOC.No: SP-A0119-01		SCALE 1 : 1	DESIGN UNITS mm	FULLINHOPE Technology, LTD.	
TEST REPORT DOC.No: TR-A0289-01		DRAWN Mei Chen	DATE 2014/09/30	TITLE SD CARD CONNECTOR TYPE FOR REVERSE	
GENERAL TOLERANCES (UNLESS SPECIFIED)		CHECKED	DATE		
X.XXX	± 0.20	APPROVED	DATE		
X.XX	± 0.20				
X.X	± 0.25				
ANGULAR ± 3°					
THIRD ANGLE PROJECTION		DWG NO. SA0289-001	PART NO. A0289-0001	DWG REV. B	SHEET NO. 2 OF 2

9

8

7

6

5

4

3

2

1