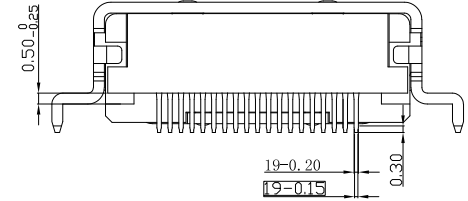
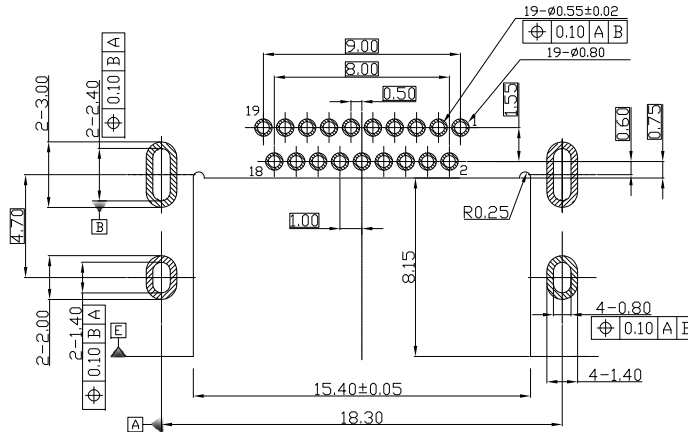
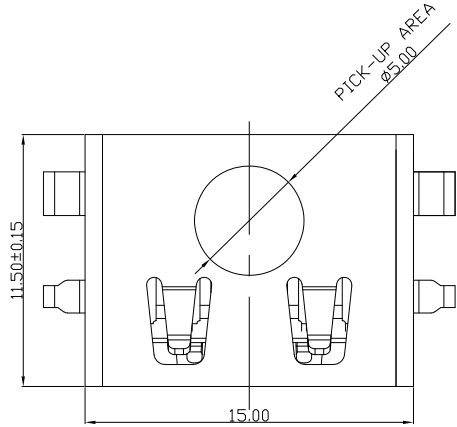
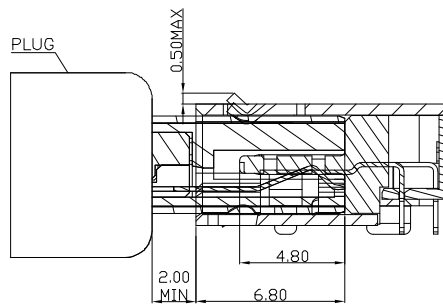
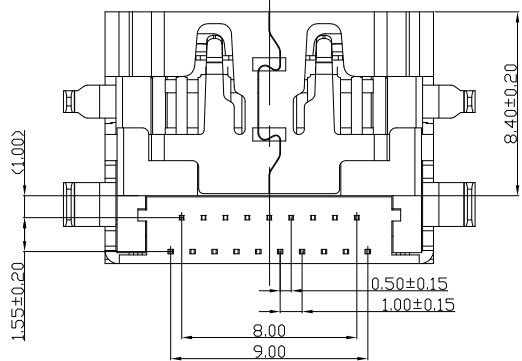
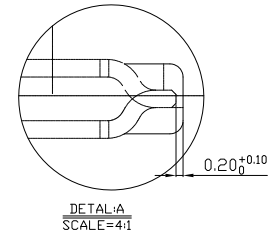
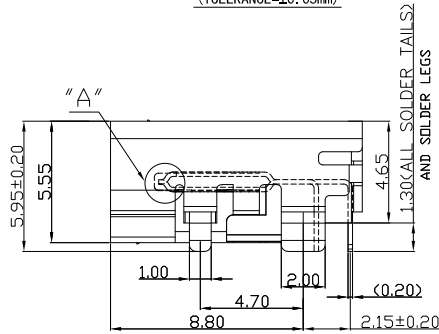
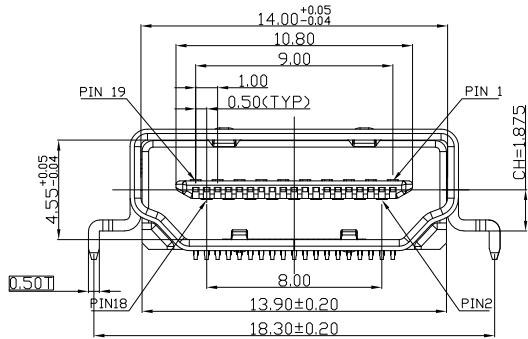


REVISION HISTORY			
REV	DESCRIPTION	Drawing	DATE
01	PROPOSAL	Allen	2021/03/26



(THICKNESS=1.0±0.05mm)  
(TOLERANCE=±0.05mm)



ITEM	PART	Q'TY	MATERIAL	COLOR/PLATED
4	CONTACT (LONG)	10	C5191	GOLD (SEE P/N) ON CONTACT AREA, MATTE-TIN 100u" ON SOLDER ALL OVER 50u" Ni
3	CONTACT (SHORT)	9	C5191	GOLD (SEE P/N) ON CONTACT AREA, MATTE-TIN 100u" ON SOLDER ALL OVER 50u" Ni
2	SHELL	1	SPCC	Ni 40u"~60u"
1	HOUSING	1	LCP	BLACK

PRODUCT SPECIFICATION: DOC.No: SP-AXXXX-XX TEST REPORT DOC.No: TR-AXXXX-XX	SCALE 1 : 1	DESIGN UNITS mm
GENERAL TOLERANCES (UNLESS SPECIFIED)	DRAWN Allen	DATE 2021/03/26
X.XXX ± 0.20	CHECKED	DATE
X.XX ± 0.20	APPROVED	DATE
X.X ± 0.25	DWG NO. SA0873-001	PART NO. SEE TABLE
ANGULAR ± 3°	THIRD ANGLE PROJECTION	DWG REV. 01

**FULLINHOPE Technology, LTD.**

HDMI A TYPE RECEPTACLE  
SINK CH = 1.875mm

TABLE

FIH P/N	TABLE A GOLD PLATING THICKNESS
A0873-0003	Au 30u"
A0873-0001	G/F