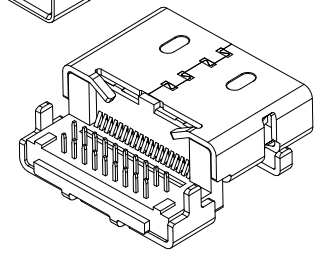
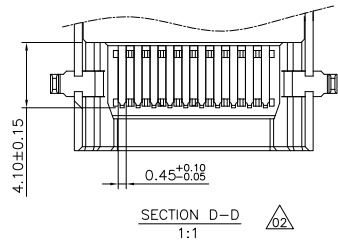
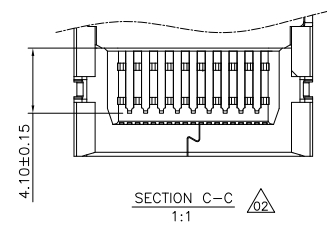
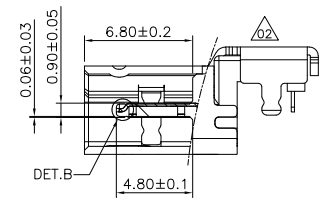
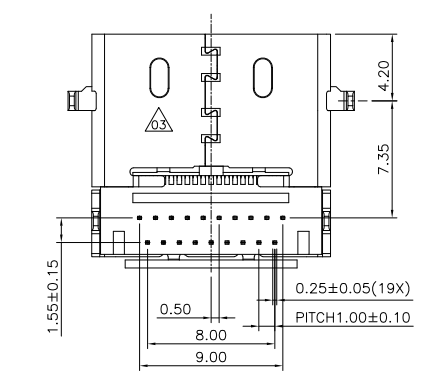
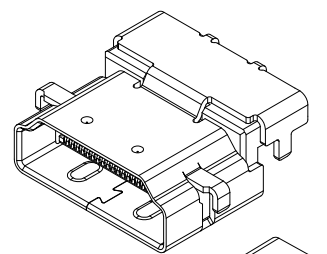
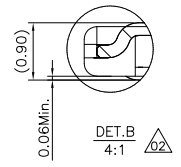
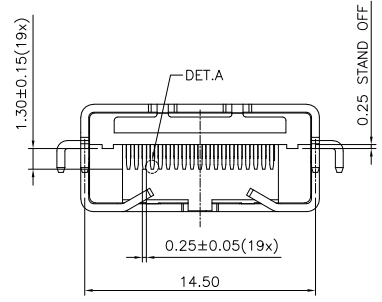
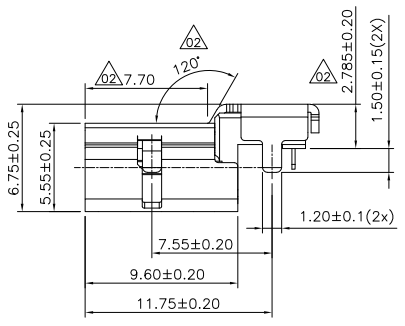
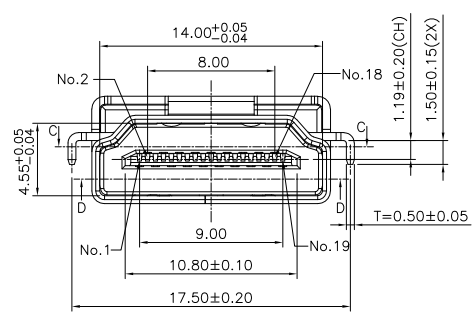
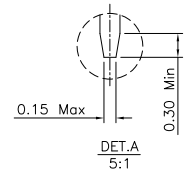
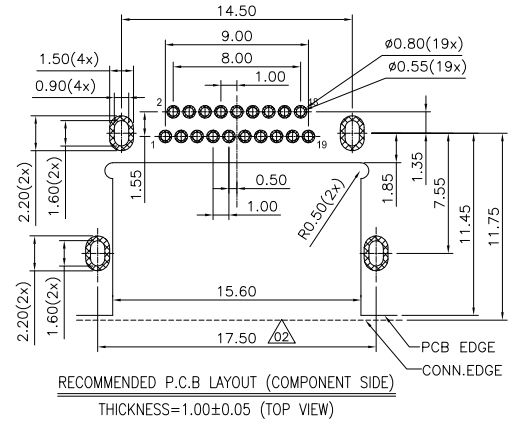
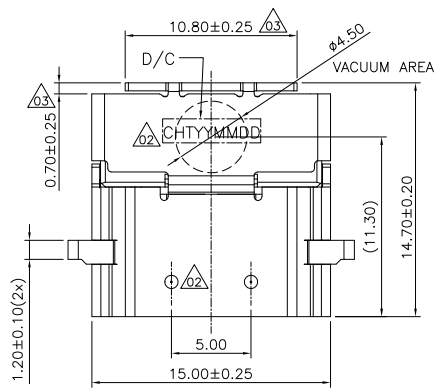


REVISION HISTORY			
REV	DESCRIPTION	Drawing	DATE
03	2D增加尺寸標註，3D調整	Allen	2022/06/09

NOTE:
 1. MATERIAL:
 1.1 HOUSING: LCP+30% G.F
 UL94V-0, COLOR: BLACK
 1.2 CONTACT: C2680.
 1.3 SHELL: SK7.
 2. FINISH:
 2.1 CONTACT: GOLD (SEE TABLE) PLATED ON CONTACT AREA
 100u" MIN. MATT TIN PLATED ON SOLDER TAILS
 50u" MIN. NICKEL UNDERPLATED OVER ALL.
 2.2 SHELL: 50u" MIN. NICKEL UNDERPLATED OVER ALL.



PRODUCT SPECIFICATION: DOC.No: SP-AXXX-XX	SCALE 1 : 1	DESIGN UNITS mm
TEST REPORT DOC.No: TR-AXXX-XX	DRAWN Allen	DATE 2022/05/19
GENERAL TOLERANCES (UNLESS SPECIFIED)	CHECKED	DATE
X.XXX ± 0.10	APPROVED	DATE
X.XX ± 0.25	DWG NO. SA0926-001	
X.X ± 0.38		
ANGULAR ± 3°		
THIRD ANGLE PROJECTION		

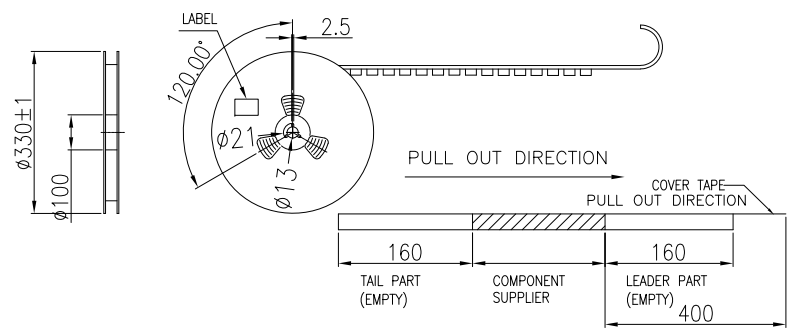
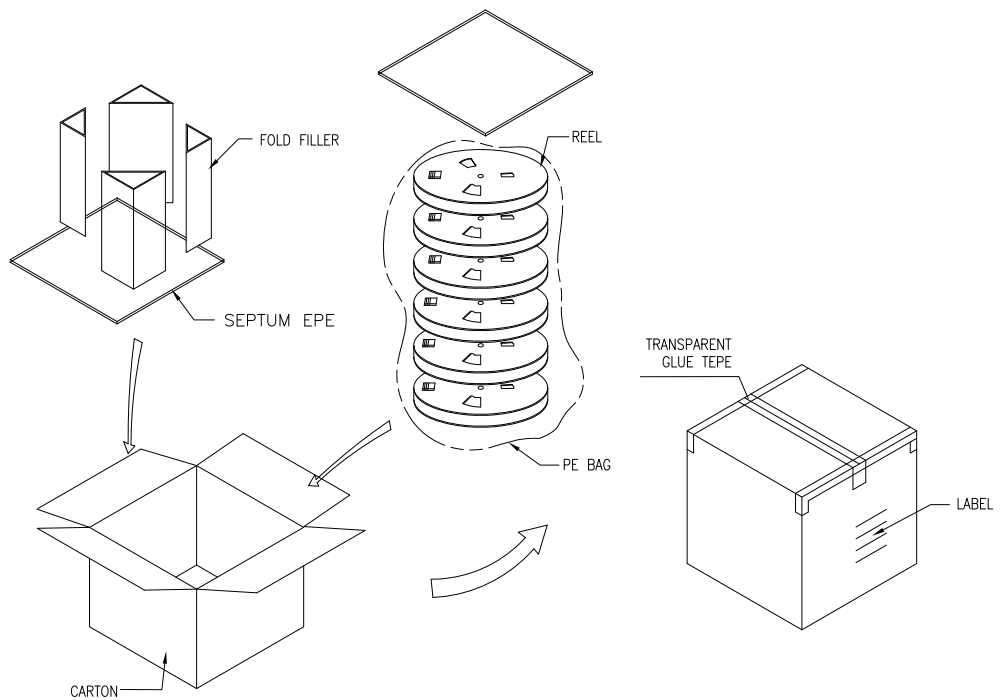
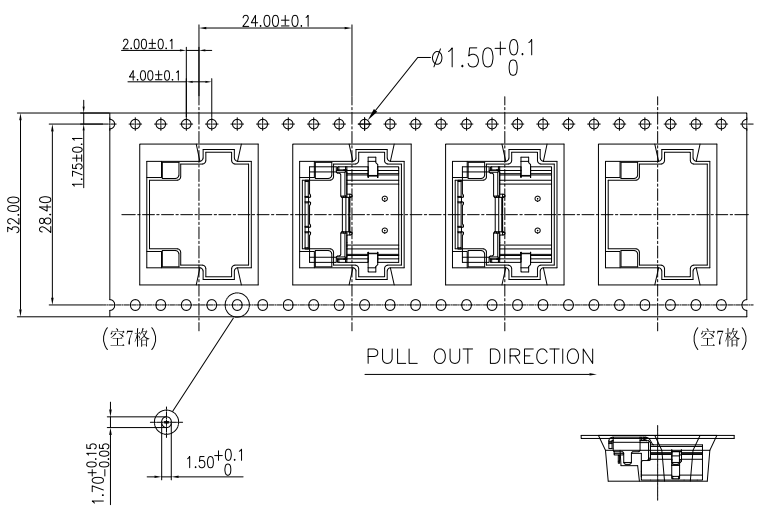
TABLE	
CHT P/N	TABLE A GOLD PLATING THICKNESS
A0926-0003	Au 30u"
A0926-0001	G/F

CHT 群匯科技股份有限公司
 CHIUN HUEI Technology CO., LTD.

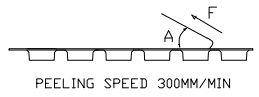
TITLE
 HDMI 2.1 A TYPE RECEPTACLE
 REVERSE SINK CH = -1.19

PART NO. TABLE A	DWG REV. 03	SHEET NO. 1 OF 1
---------------------	----------------	---------------------

REVISION HISTORY			
REV	DESCRIPTION	Drawing	DATE
01	PROPOSAL	Allen	2022/05/31



1. COVER TAPE PEELING FORCE:



A	15°~ 0°
F	0.1N~1.3N

2. PART DIMENSIONS MEET EIA-481-D REQUIREMENT

TABLE

PRODUCT P/N	PARTS PER SHIPPING CARTON	PARTS PER REEL	LOADED REEL PER SHIPPING CARTON
A0926-0003	5000	500	10
A0926-0001			

PRODUCT SPECIFICATION: DCC No: SP-Axxxx-xx	SCALE 1 : 1	DESIGN UNITS mm
TEST REPORT DCC No: TR-Axxxx-xx	DRAWN Allen	DATE 2022/05/31
GENERAL TOLERANCES (UNLESS SPECIFIED)	CHECKED	DATE
X.XXX ± 0.10	APPROVED	DATE
X.XX ± 0.25	TITLE	
X.X ± 0.38	HDMI 2.1 A TYPE RECEPTACLE REVERSE SINK CH = -1.19	
ANGULAR ± 3°	DWG NO. PA0926-001	PART NO. SEE TABLE
THIRD ANGLE PROJECTION	DWG REV. 01	SHEET NO. 1 OF 1

CHT 群匯科技股份有限公司
CHIUN HUEI Technology CO., LTD.