

10

9

8

7

6

5

4

3

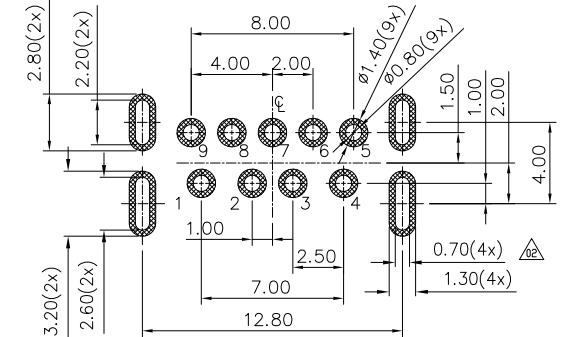
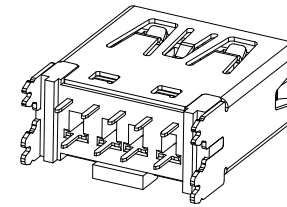
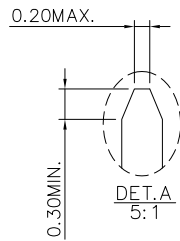
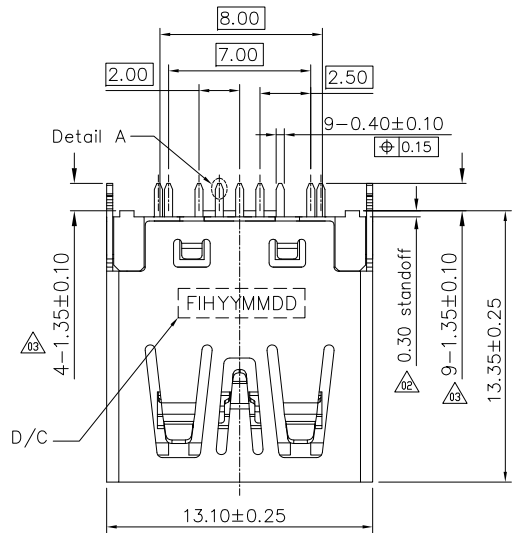
2

1

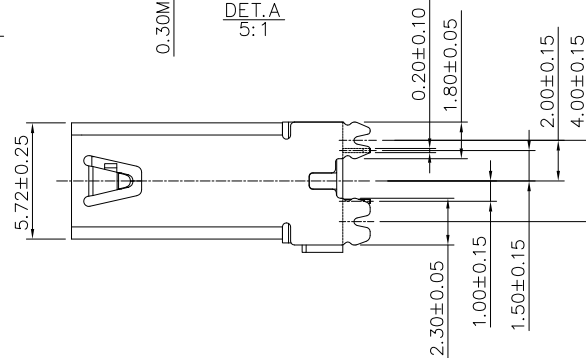
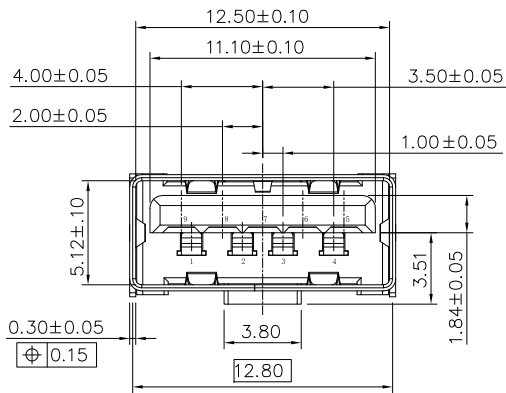
REVISION HISTORY

REV	DESCRIPTION	Drawing	DATE
01	PROPOSAL	Mei Chen	2018/11/13
02	PROPOSAL	Mei Chen	2019/07/03
03	PROPOSAL	Mei Chen	2019/07/16

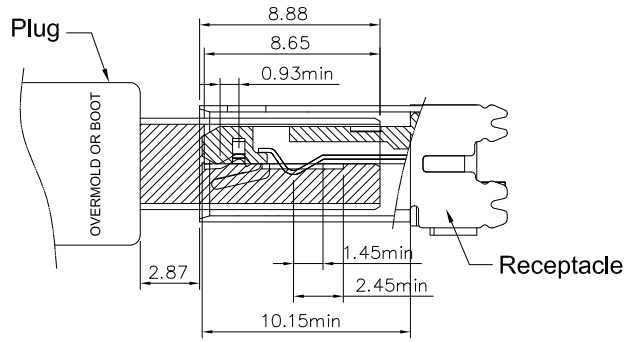
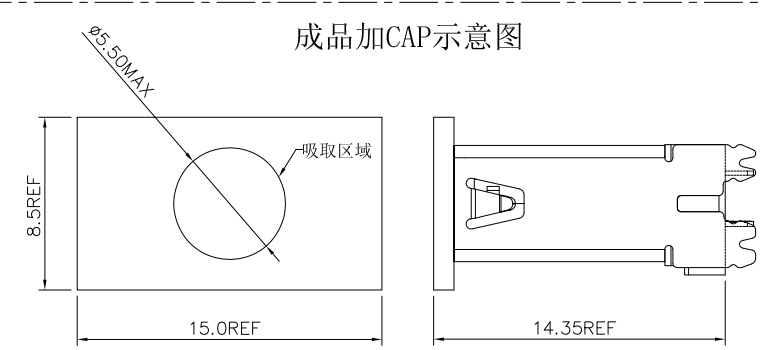
- NOTES:
- MATERIAL:
 - 1.1 PLASTIC LCP , UL 94V-0, COLOR: BLACK
 - 1.2 CONTACT: C5191
 - 1.3 SHELL: SUS201
 - FINISH:
 - 2.1 TERMINAL: 50u" MIN. NICKEL PLATED OVERALL
 - 2.2 CONTACT: SELECTIVE GOLD PLATED, SEE TABLE A
 - 2.3 TAIL: 100u" MATT-TIN PLATED
 - 2.4 SHELL: 50u" MIN. NICKEL PLATED OVERALL
 - PRODUCT SPECIFICATION REFER TO SP-A0669-01
 - PACKAGE DRAWING REFER TO PA0669-001
 - PRODUCT MUST CONFORM TO RoHS AND HALOGEN FREE REQUIREMENT
 - DATE CODE: XX (YEAR), XX (MONTH) ,XX (DATE)



RECOMMENDED PCB LAYOUT (TOP VIEW)
GENERAL TOLERANCES: ±0.05 (t=1.6/1.2)



成品加CAP示意图



Mated Condition

Contact Number	Signal Name
PIN1	VBUS
PIN2	D-
PIN3	D+
PIN4	GND
PIN5	StdA_SSRX-
PIN6	StdA_SSRX+
PIN7	GND_DRAIN
PIN8	StdA_SSTX-
PIN9	StdA_SSTX+
Shell	Shield

PRODUCT SPECIFICATION: DDC.No: SP-AXXXX-001	SCALE 1 : 1	DESIGN UNITS mm
TEST REPORT DDC.No: TR-AXXXX-001	DRAWN Mei Chen	DATE 2018/11/13
GENERAL TOLERANCES (UNLESS SPECIFIED)	CHECKED	DATE
X.XXX ± 0.20	APPROVED	DATE
X.XX ± 0.20		
X.X ± 0.25		
ANGULAR ± 3°		
THIRD ANGLE PROJECTION	DWG NO. SA0669-001	

FULLINHOPE Technology, LTD.		
TITLE USB3.0 AF S/T DIP TYPE H=13.35		
PART NO. TABLE A	DWG REV. 03	SHEET NO. 1 OF 1

FIH P/N	TABLE A GOLD PLATING THICKNESS
A0669-0003	Au30u
A0669-0001	G/F

9

8

7

6

5

4

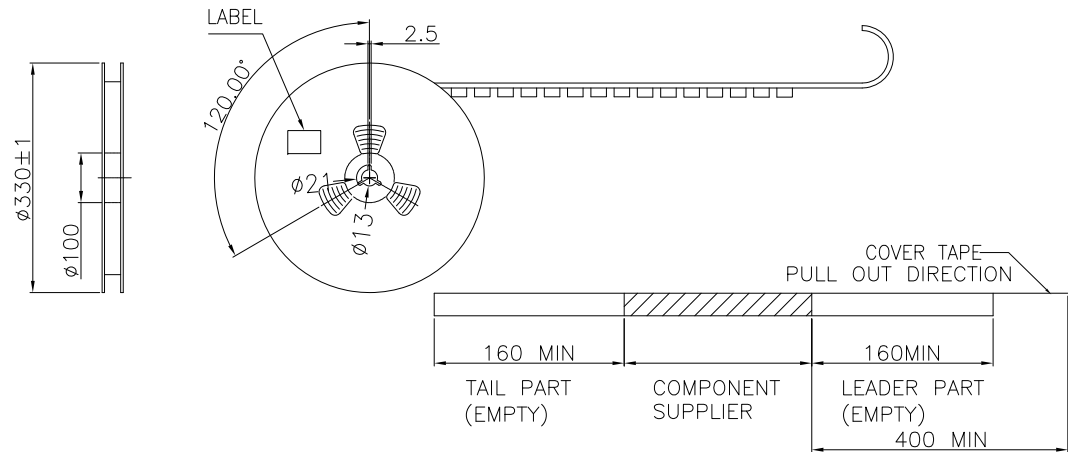
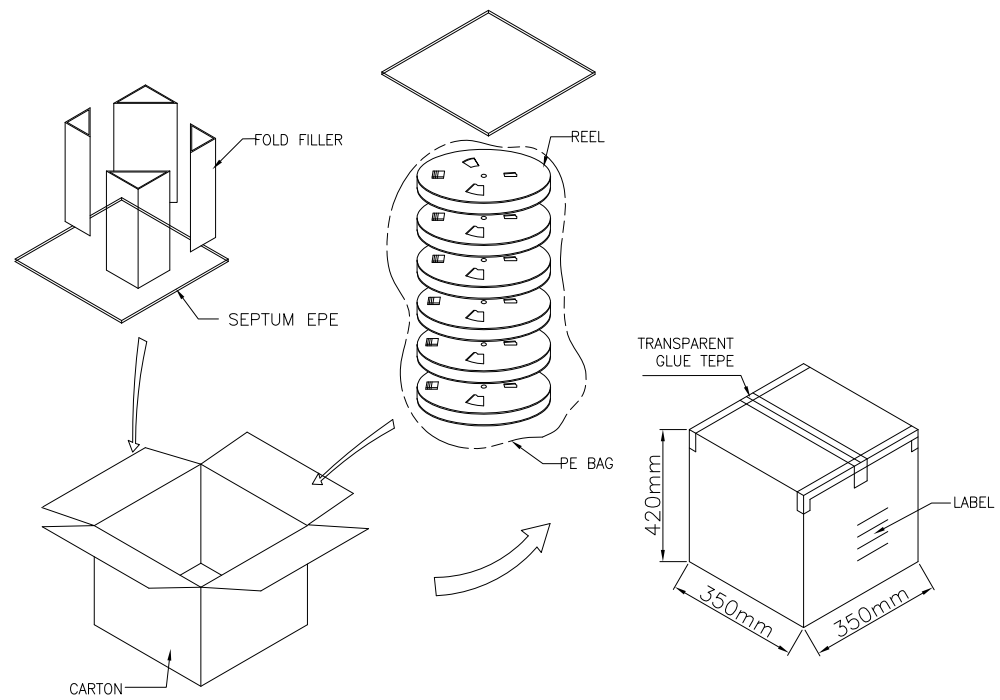
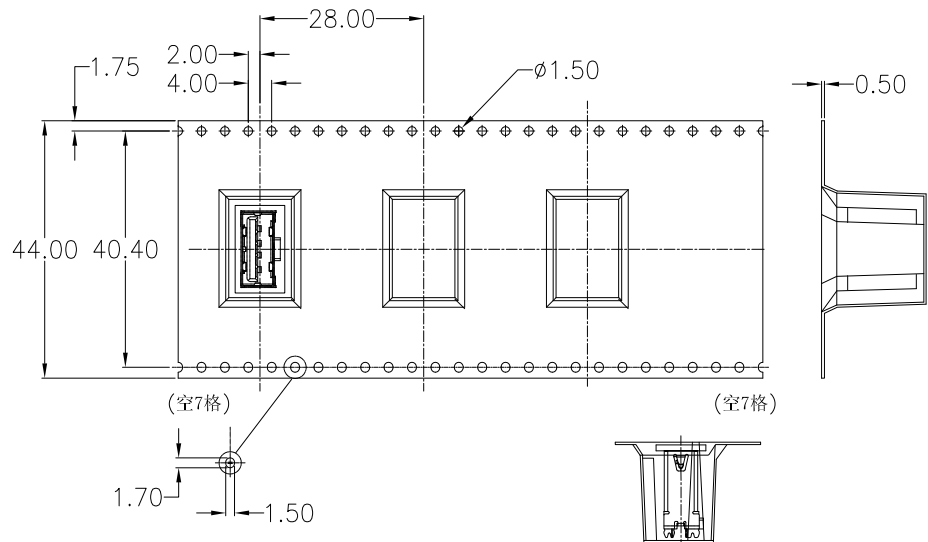
3

2

1

REVISION HISTORY			
REV	DESCRIPTION	Drawing	DATE
01	PROPOSAL	Mei Chen	2018/11/13

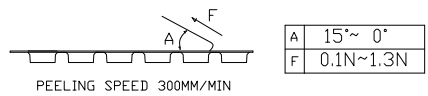
客户拉料方向



TABLE

PRODUCT P/N	PARTS PER SHIPPING CARTON	PARTS PER REEL	LOADED REEL PER SHIPPING CARTON
A0669-0003	1600	200	8
A0669-0001			

1.COVER TAPE PEELING FORCE:



2.PART DIMENSIONS MEET EIA-481-2-A REQUIREMENT

PRODUCT SPECIFICATION: DOC.No: SP-Axxxx-001	SCALE 1 : 1	DESIGN UNITS mm	FULLINHOPE Technology, LTD.	
TEST REPORT DOC.No: TR-Axxxx-001	DRAWN Mei Chen	DATE 2018/11/13	TITLE USB3.0 AF S/T DIP TYPE H=13.35 包装规范	
GENERAL TOLERANCES (UNLESS SPECIFIED)	CHECKED	DATE		
X.XXX ± 0.20	APPROVED	DATE		
X.XX ± 0.20				
X.X ± 0.25				
ANGULAR ± 3°				
THIRD ANGLE PROJECTION	DWG NO. PA0669-001	PART NO. SEE TABLE	DWG REV. 01	SHEET NO. 1 OF 1