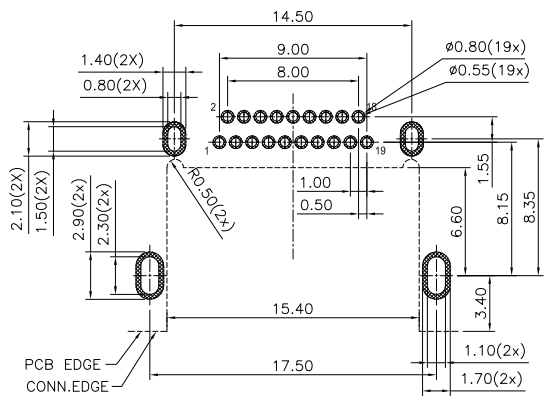
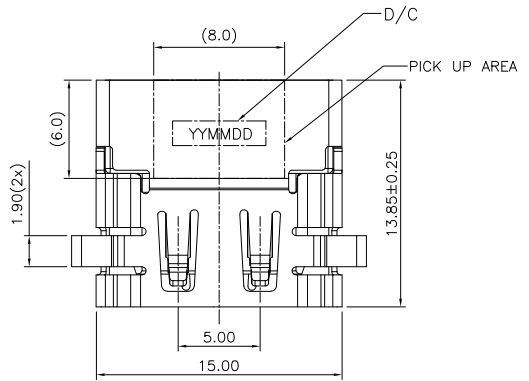
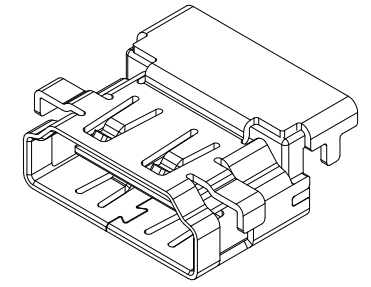
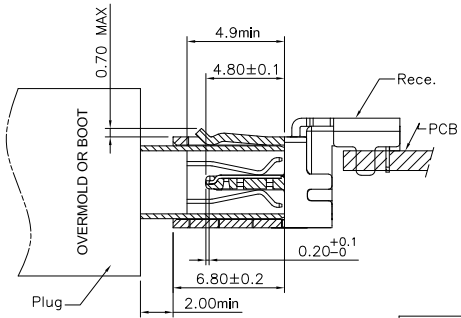
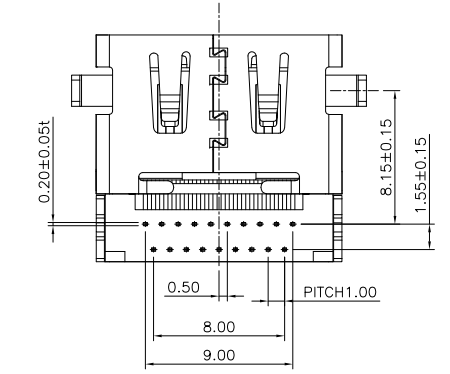
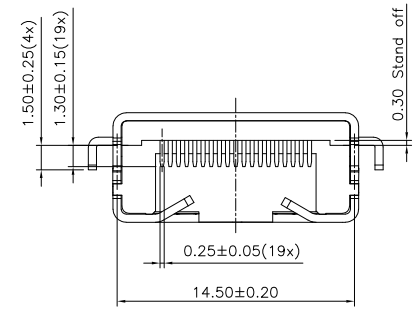
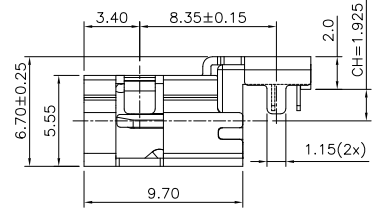
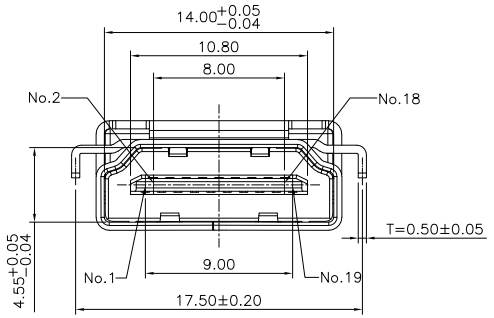


REVISION HISTORY			
REV	DESCRIPTION	Drawing	DATE
01	PROPOSAL	Allen	2021/12/21



- NOTE:
- MATERIAL:
 - HOUSING: HIGH TEMPERATURE THERMOPLASTIC, UL94V-0, COLOR: BLACK.
 - CONTACT: COPPER ALLOY.
 - SHELL: METAL.
 - FINISH:
 - TERMINAL: 50u" MIN. NICKEL PLATED OVERALL
 - CONTACT: SELECTIVE GOLD PLATED, SRR TABLE A.
 - TAIL: 100u" MIN MATT-TIN PLATED.
 - SHELL: 50u" MIN. NICKEL PLATED OVERALL.



TABLE

FIH P/N	TABLE A GOLD PLATING THICKNESS
A0903-0003	Au30u
A0903-0001	G/F

PRODUCT SPECIFICATION: DOC.No: SP-AXXXX-001	SCALE 1 : 1	DESIGN UNITS mm
TEST REPRDT DOC.No: TR-AXXXX-001	DRAWN Allen	DATE 2021/12/21
GENERAL TOLERANCES (UNLESS SPECIFIED)	CHECKED	DATE
X.XXX ± 0.15	APPROVED	DATE
X.XX ± 0.25	DWG NO. SA0903-001	
X.X ± 0.30		
ANGULAR ± 3°		
THIRD ANGLE PROJECTION		

FULLINHOPE Technology, LTD.

TITLE
HDMI A TYPE REVERSE, SINK , C/H=-1.925mm

PART NO. TABLE A	DWG REV. 01	SHEET NO. 1 OF 1
------------------	-------------	------------------