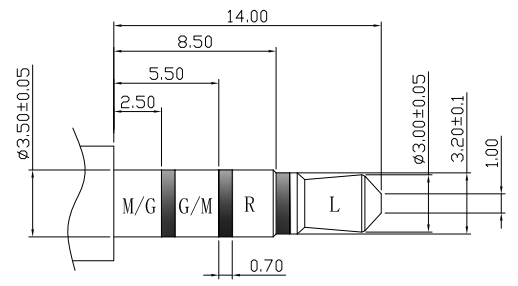
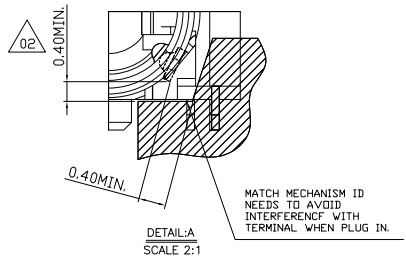
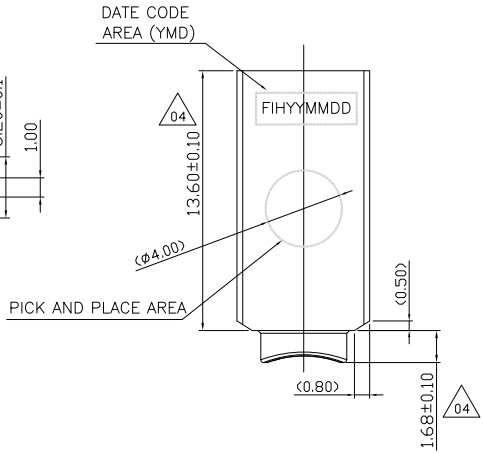


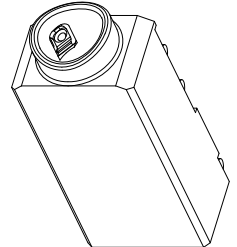
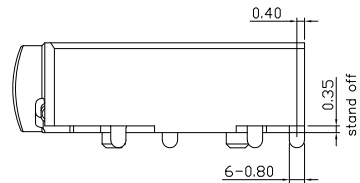
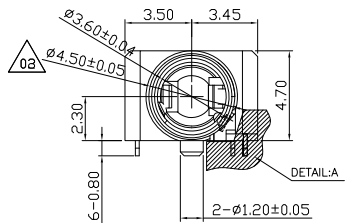
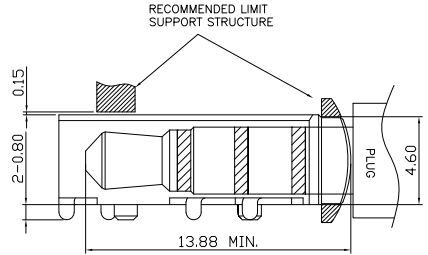
REVISION HISTORY			
REV	DESCRIPTION	Drawing	DATE
04	修改尺寸公差	Allen	2021/09/10



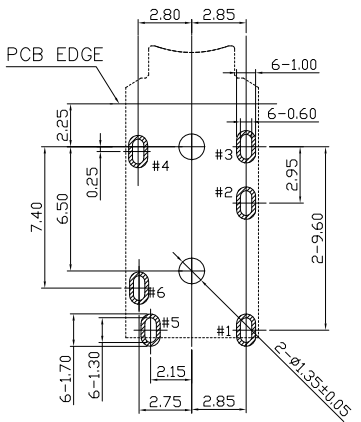
RECOMMENDED PLUG
4-POLE



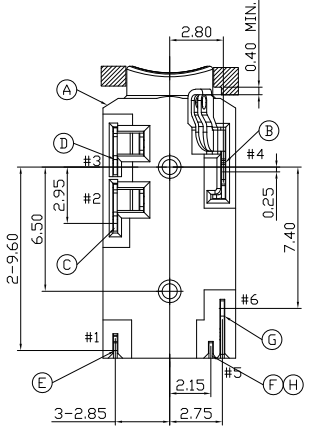
- SPECIFICATION:
- ELECTRICAL CHARACTERISTICS:
 - RATING: 12V 1A
 - CONTACT RESISTANCE: 50mΩ MAX.(INITIAL)
 - DIELECTRIC WITHSTANDING VOLTAGE: 500V AC FOR ONE MINUTE.
 - INSULATION RESISTANCE: 100MΩ MIN, MEASURED BY 500 VDC
 - MECHANICAL CHARACTERISTICS:
 - INSERTION FORCE: 0.8~3.0 KGf
2.5Kgf MAX.(AFTER LIFE TEST)
 - WITHDRAWAL FORCE: 0.6~1.8KGf
0.5Kgf MIN.(AFTER LIFE TEST)
 - LIFE TEST: 2000 CYCLES MIN.
AFTER LIFE TEST, CONTACT RESISTANCE: 120MΩ MAX.
 - AFTER HUMINITY TEST, INSULATION RESISTANCE: 50MΩ MIN.



Model No.	Audio Jack
Schematic	✓ #3 G/M
	✓ #2 R
	✓ #1 L
	▲ #5
	▲ #6
	▲ #4 M/G



PCB LAYOUT
TOP VIEW (TOLERANCE:±0.05)



NO.	DESCRIPTION	QTY	MATERIAL	REMARK
(H)	SEPARATOR	1	LCP E130I+30%GF UL 94V-0	Black
(G)	MAKE TERMINAL	1	C5210-EH 0.2T	GOLD FLASH ON CONTACT AREA; GOLD FLASH ON SOLDER AREA; ALL OVER 50u" NI.
(F)	TRANSFER TERMINAL	1	C5210-EH 0.2T	
(E)	TIP SPRING	1	SUS304-1/2H 0.20t	
(D)	RING B	1	C5210-EH 0.2T	
(C)	RING A	1	C5210-EH 0.2T	
(B)	EARTH	1	C5210-EH 0.2T	
(A)	BODY	1	PA4T-30%GF TX1 UL-94V0	SEE TABLE

PRODUCT SPECIFICATION: DOC.No: SP-AXXXX-001	SCALE	DESIGN UNITS
TEST REPORT DOC.No: TR-AXXXX-001	1 : 1	mm
GENERAL TOLERANCES (UNLESS SPECIFIED)	DRAWN	DATE
X.XXX ± 0.20	Allen	2021/04/09
X.XX ± 0.20	CHECKED	DATE
X.X ± 0.25	APPROVED	DATE
ANGULAR ± 3°	DWG NO.	SA0875-001
THIRD ANGLE PROJECTION	PART NO.	SEE TABLE

FULLINHOPE Technology, LTD.

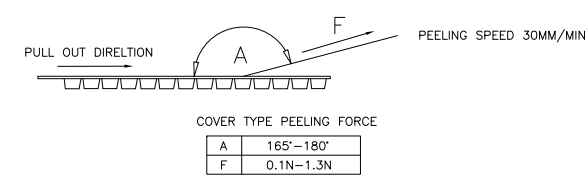
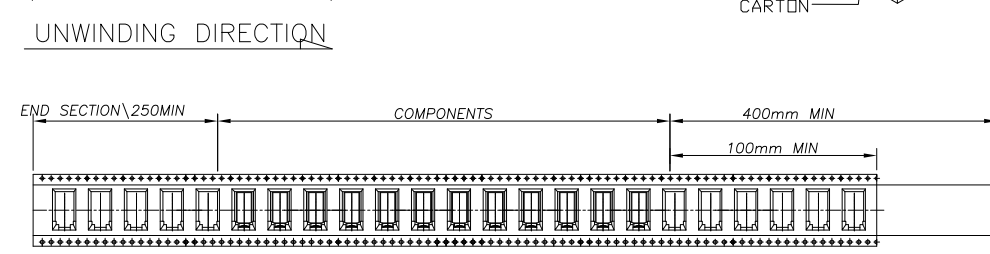
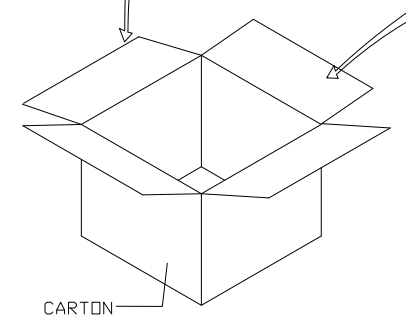
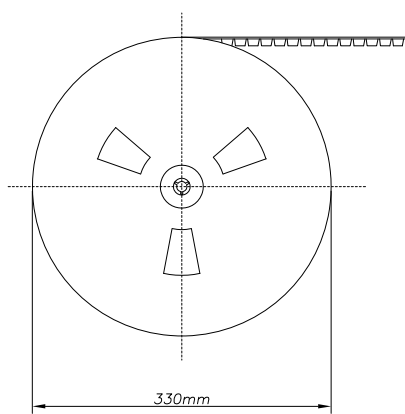
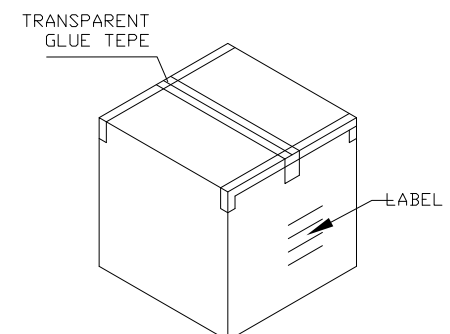
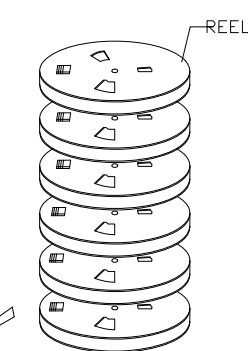
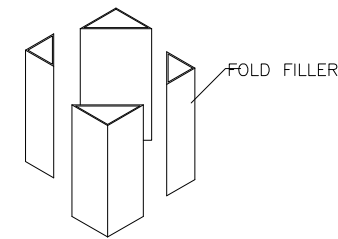
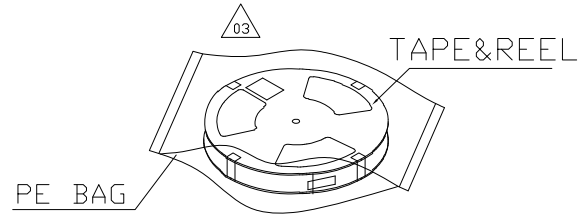
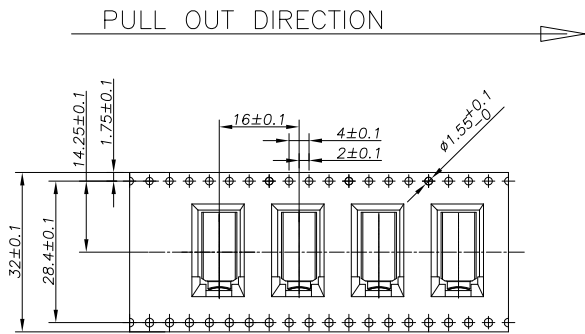
ø3.5 AUDIO JACK
CH=2.3mm

DWG REV.	04	SHEET NO.	1 OF 1
----------	----	-----------	--------

TABLE

FIH P/N	TABLE A HOUSING COLOR
A0875-0001	BLACK
A0875-2001	GRAY 4C

REVISION HISTORY			
REV	DESCRIPTION	Drawing	DATE
03	每盤增加獨立包裝	Allen	2021/07/23

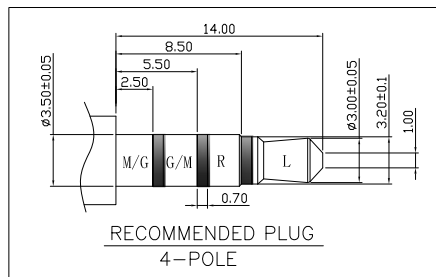


02
TABLE :

PRODUCT P/N	PARTS PER SHIPPING CARTON	PARTS PER REEL	LOADED REEL PER SHIPPING CARTON
A0875-0001	6000	600	10
A0875-2001	6000	600	10

PRODUCT SPECIFICATION: DOC.No: SP-AXXX-001	SCALE 1 - 1	DESIGN UNITS mm	FULLINHOPE Technology, LTD.	
TEST REPORT DOC.No: TR-AXXX-001	DRAWN Allen	DATE 2021/04/09	TITLE ø3.5 AUDIO JACK CH=2.3mm	
GENERAL TOLERANCES (UNLESS SPECIFIED)	CHECKED	DATE		
X.XXX ± 0.20	APPROVED	DATE		
X.XX ± 0.20				
X.X ± 0.25				
ANGULAR ± 3°				
THIRD ANGLE PROJECTION	DWG NO. PA0875-001	PART NO. SEE TABLE	DWG REV. 03	SHEET NO. 1 OF 1

AUDIO JACK 時序圖



Model No.	Audio Jack
Schematic	③ #3 G/M
	② #2 R
	① #1 L
	⑤ #5
	⑥ #6
	④ #4 M/G

