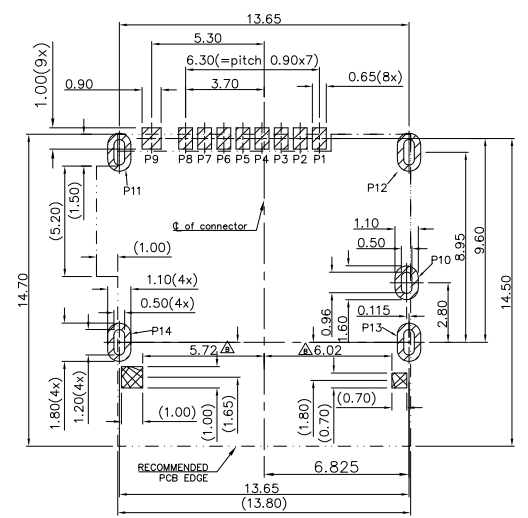
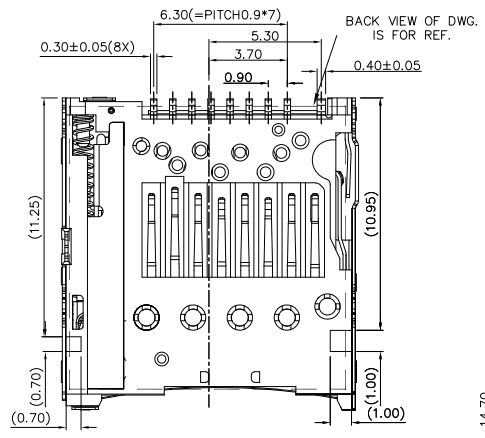
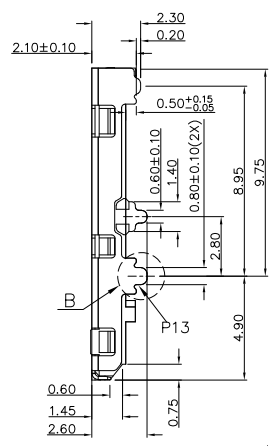
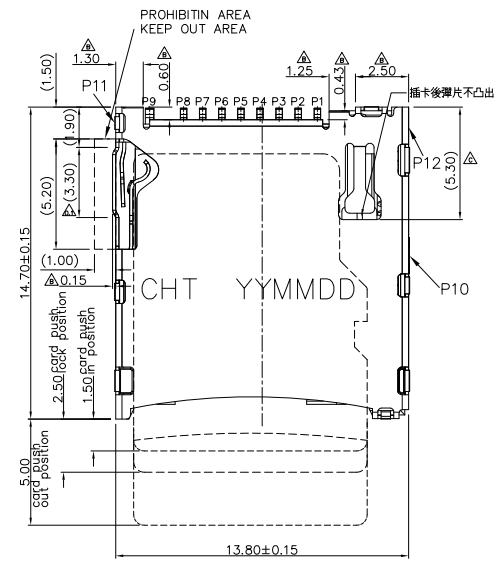
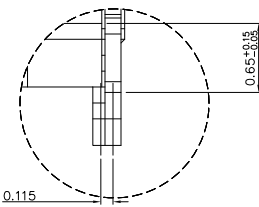
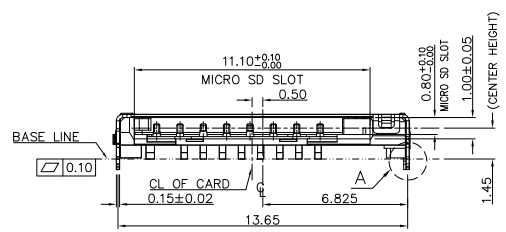


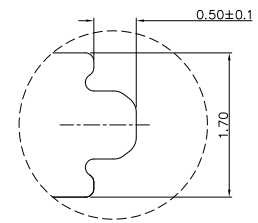
REVISION HISTORY			
REV	DESCRIPTION	Drawing	DATE
E	圖面整理	Allen	2020/12/01



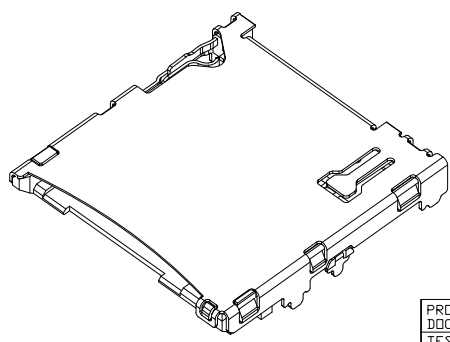
RECOMMENDED PCB LAYOUT(TOP VIEW)
 GENERAL TOLERANCE: ±0.05
 ▨ PAD AREA ▩ NO COPPER AREA
 - - - - - KEEP OUT AREA



DETAIL A
SCALE 5:1



DETAIL B
SCALE 4:1



- NOTES:
- MATERIAL:
 - 1.1 PLASTIC: LCP , UL 94V-0, COLOR: BLACK
 - 1.2 CONTACT: COPPER ALLOY (C5210)
 - 1.3 SHELL: STAINLESS STEEL (SUS304)
 - FINISH:
 - 2.1 TERMINAL: 50μ" MIN. NICKEL PLATED OVERALL
 - 2.2 CONTACT: SELECTIVE GOLD PLATED, SEE TABLE A
 - 2.3 TAIL: 120μ" MATT-TIN PLATED
 - 2.4 SHELL: 50μ" MIN. NICKEL PLATED OVERALL
 - PRODUCT SPECIFICATION REFER TO SP-A0749-01
 - PACKAGE DRAWING REFER TO PA0749-01
 - PRODUCT MUST CONFORM TO RoHS AND HALOGEN FREE REQUIREMENT

PIN NUMBER	PIN DEFINE
PIN 1	MICRO_SD_DAT2
PIN 2	MICRO_SD_CD/DAT3
PIN 3	MICRO_SD_CMD
PIN 4	MICRO_SD_VDD
PIN 5	MICRO_SD_CLK
PIN 6	MICRO_SD_VSS
PIN 7	MICRO_SD_DAT0
PIN 8	MICRO_SD_DAT1
PIN 9	MICRO_SD_CD
PIN 10	GND
PIN 11,12,13,14	GND

CARD DETECT SWITCH OPEN/CLOSE FOR MICRO SD CARD POSITION	
UN-INSERTION	CARD DERECT SWITCH
CARD UNINSERTION	OPEN
CARD HALF INSERTION	OPEN
CARD INSERTION	CLOSE
N/O	OPEN P10 P9 CLOSE P10 P9

TABLE	
FIH P/N	TABLE A GOLD PLATING THICKNESS
A0749-0003	Au30u
A0749-0001	G/F

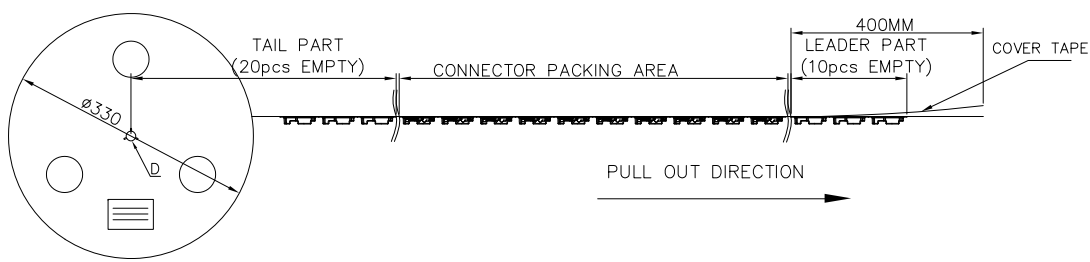
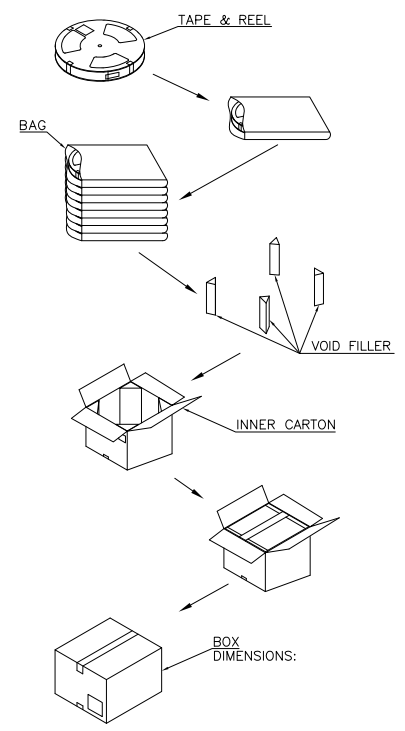
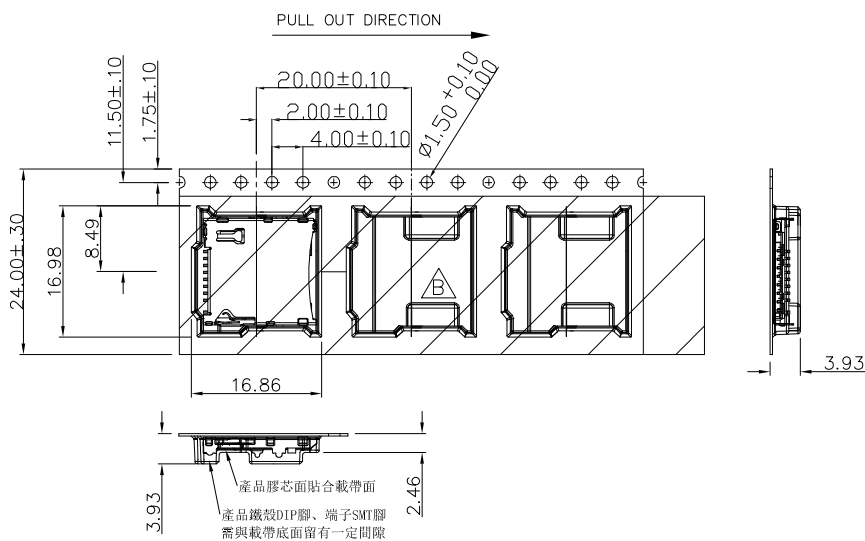
PRODUCT SPECIFICATION: DOC.No: SP-AXXXX-XX TEST REPRDT DOC.No: TR-AXXXX-XX	SCALE 1 : 1	DESIGN UNITS mm
GENERAL TOLERANCES (UNLESS SPECIFIED)	DRAWN Linda	DATE 2019/08/29
X.XXX ± 0.10	CHECKED Mei	DATE 2019/08/29
X.XX ± 0.25	APPROVED	DATE 2019/08/29
X.X ± 0.38	ANGULAR ± 3°	TJ
THIRD ANGLE PROJECTION	DWG NO. SA0749-001	

CHT 群匯科技股份有限公司
 CHIUN HUEI Technology CO., LTD.

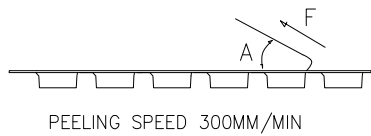
TITLE
 Micro SD Push Push Connector
 Top-Mount,H=2.1

PART NO. TABLE A	DWG REV. E	SHEET NO. 1 OF 2
---------------------	---------------	---------------------

REVISION HISTORY			
REV	DESCRIPTION	Drawing	DATE
E	圖面整理	Allen	2020/12/01



1. QUANTITY: 800PCS
2. COVER TAPE PEELING FORCE:



A	15°~ 0°
F	0.1N~1.3N

3. PART DIMENSIONS MEET EIA-481-D REQUIREMENT

TABLE			
PRODUCT P/N	PARTS PER SHIPPING CARTON	PARTS PER REEL (S.P.Q.)	TOTAL REELS PER SHIPPING CARTON
A0749-0003	7200(PCS) △	800(PCS) △	9
A0749-0001			
PRODUCT SPECIFICATION: DOC.No: SP-Axxxx-xx	SCALE 1 : 1	DESIGN UNITS mm	CHT 群匯科技股份有限公司 CHIUN HUEI Technology CO., LTD. TITLE Micro SD Push Push Connector Top-Mount, H= 2.1
TEST REPORT DOC.No: TR-Axxxx-xx	DRAWN Linda	DATE 2019/07/23	
GENERAL TOLERANCES (UNLESS SPECIFIED)	CHECKED	DATE	
X.XXX ± 0.10	APPROVED	DATE	
X.XX ± 0.25			
X.X ± 0.38			
ANGULAR ± 3°			
THIRD ANGLE PROJECTION	DWG NO. SA0749-001	PART NO. SEE TABLE	DWG REV. E
			SHEET NO. 2 OF 2