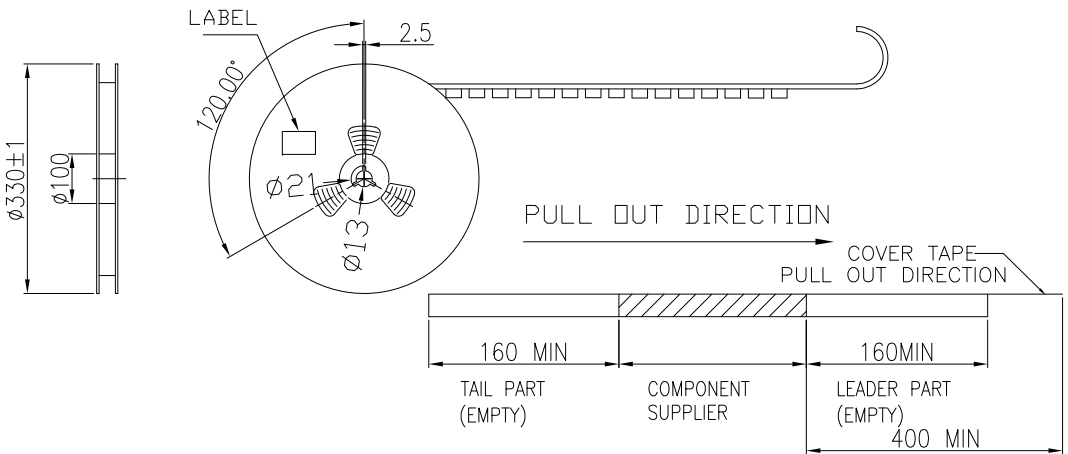
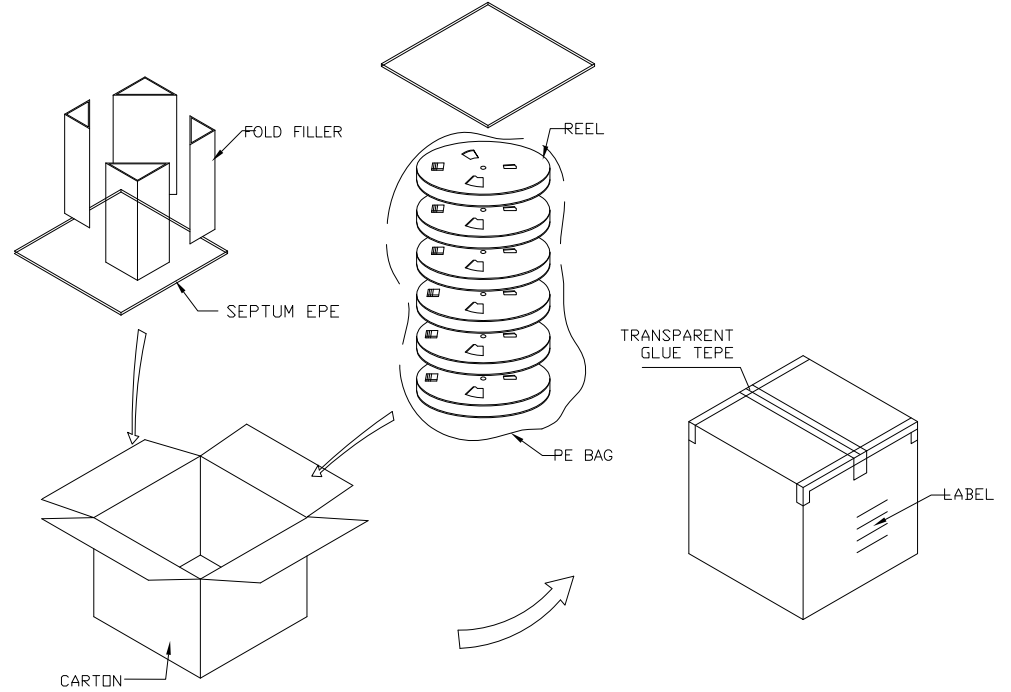
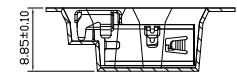
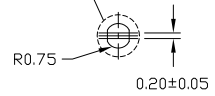
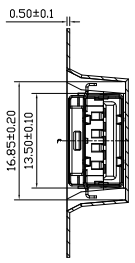
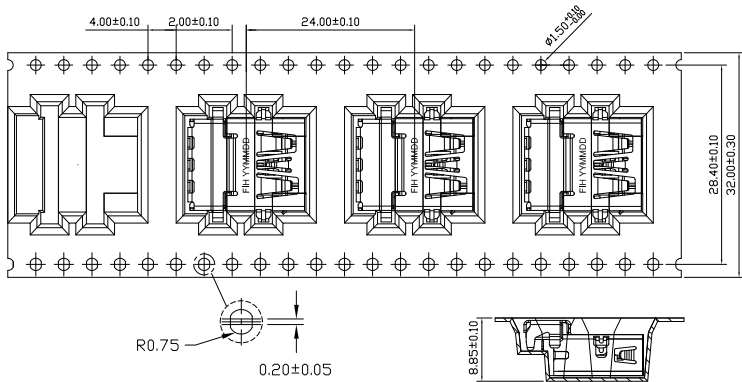


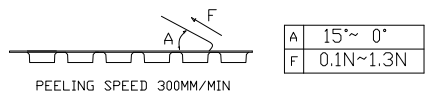
10 9 8 7 6 5 4 3 2 1

REVISION HISTORY			
REV	DESCRIPTION	Drawing	DATE
A	RELEASE	Mei Chen	2019/06/05

INPUT MATERIAL DIRECTION →



1. COVER TAPE PEELING FORCE:



2. PART DIMENSIONS MEET EIA-481-2-A REQUIREMENT

TABLE

PRODUCT P/N	PARTS PER SHIPPING CARTON	PARTS PER REEL	LOADED REEL PER SHIPPING CARTON
A0619-0004	1500	250	6
A0619-0003			
A0619-0001			

PRODUCT SPECIFICATION: DOC.No: SP-AXXXX-001	SCALE 1 : 1	DESIGN UNITS mm	FULLINHOPE Technology, LTD.	
TEST REPORT DOC.No: TR-AXXXX-001	Drawn	DATE 2018/07/24	TITLE USB 3.0 RECEPTACLE REVERSE DIP CH=2.20mm	
GENERAL TOLERANCES (UNLESS SPECIFIED)	CHECKED	DATE		
X.XXX ± 0.20	APPROVED	DATE		
X.XX ± 0.20				
X.X ± 0.25				
ANGULAR ± 3°				
THIRD ANGLE PROJECTION	DWG NO. PA0619-001	PART NO. SEE TABLE	DWG REV. A	SHEET NO. 1 OF 1

9 8 7 6 5 4 3 2 1