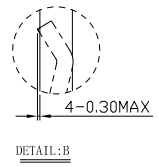
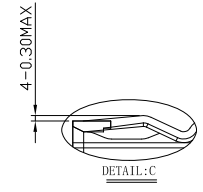
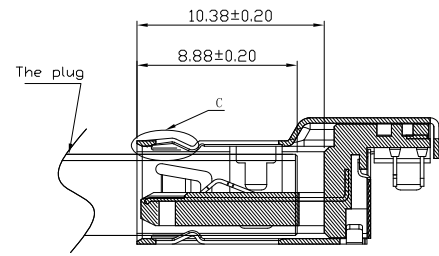
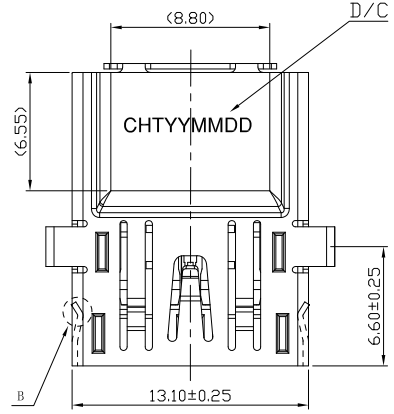
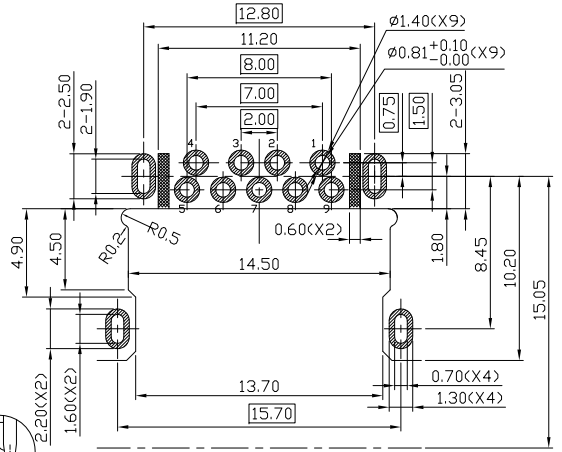
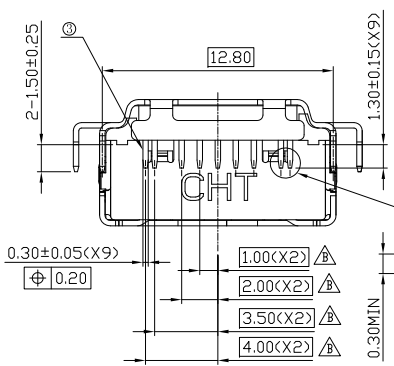
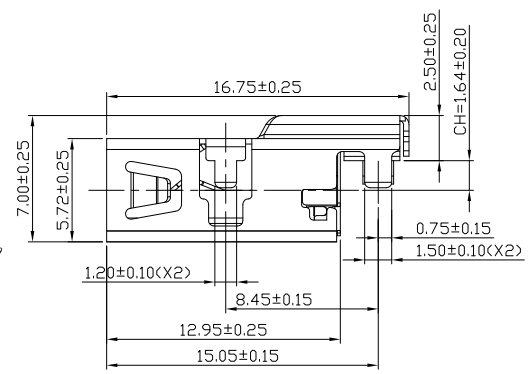
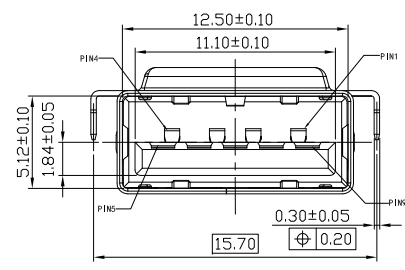


REVISION HISTORY			
REV	DESCRIPTION	Drawing	DATE
C	新增鐵殼鍍黑鎳料號,D/C加註為雷射刻印	Mei Chen	2019/08/20



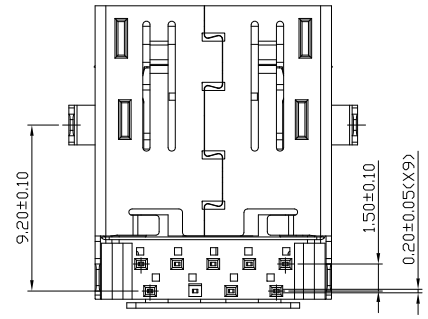
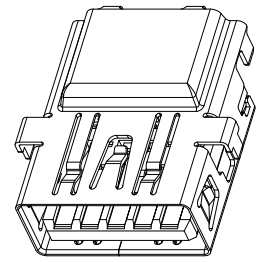
Mated Condition



RECOMMENDED P.B.CLAYOUT (THICKNESS=1.2mm)
(Compensated Side) TOLERANCE=±0.03

PIN	SIGNAL NAME
1	VBUS
2	D-
3	D+
4	GND
5	StdA_SSRX-
6	StdA_SSRX+
7	GND_DRAIN
8	StdA_SSTX-
9	StdA_SSTX+
SHELL	SHIELD

- NOTE:
- MATERIAL:
 - INSULATOR: LCP, UL94V-0, COLOR: BLACK
 - CONTACT: COPPER ALLOY.
 - SHELL: STEEL.
 - FINISH:
 - TERMINAL: 50u" MIN. NICKEL PLATED OVERALL
 - CONTACT: SELECTIVE GOLD PLATED, SEE TABLE A
 - TAIL: 100u" MIN MATT-TIN PLATED
 - SHELL: 40u" MIN. NICKEL PLATED OVERALL
 - PRODUCT SPECIFICATION REFER TO SP-A0666-01
 - PACKAGE DRAWING REFER TO PA0666-01
 - PRODUCT MUST CONFORM TO RoHS AND HALOGEN FREE REQUIREMENT
 - DATE CODE: XX (YEAR), XX (MONTH), XX (DATE), LASER



TABLE

FIG P/N	TABLE A GOLD PLATING THICKNESS
A0666-0101	G/F, 鐵殼鍍黑鎳
A0666-0003	Au30u
A0666-0001	G/F

PRODUCT SPECIFICATION: DOC.No: SP-AXXX-XX	SCALE 1:1	DESIGN UNITS mm
TEST REPORT DOC.No: TR-AXXX-XX	DRAWN	DATE
GENERAL TOLERANCES (UNLESS SPECIFIED)	Mei Chen	2018/11/28
X.XXX ± 0.10	CHECKED	DATE
X.XX ± 0.25	APPROVED	DATE
X.X ± 0.38		
ANGULAR ± 3°		
THIRD ANGLE PROJECTION	DWG NO. SA0666-001	

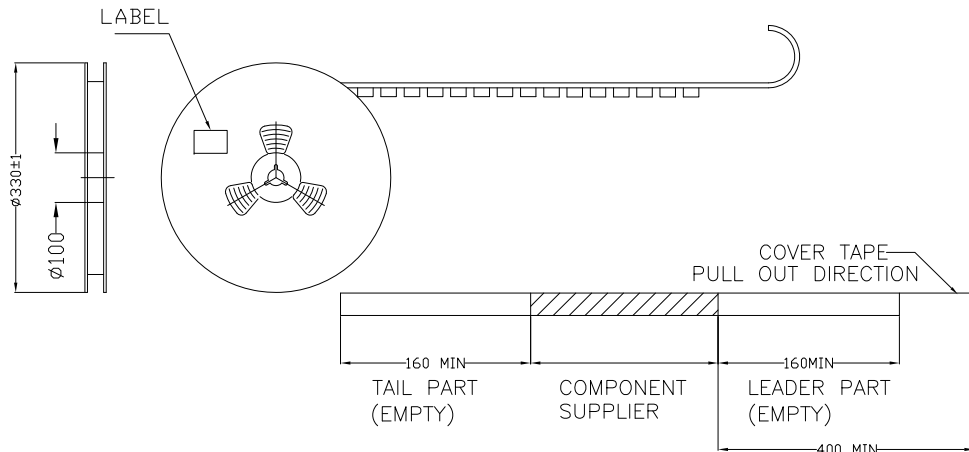
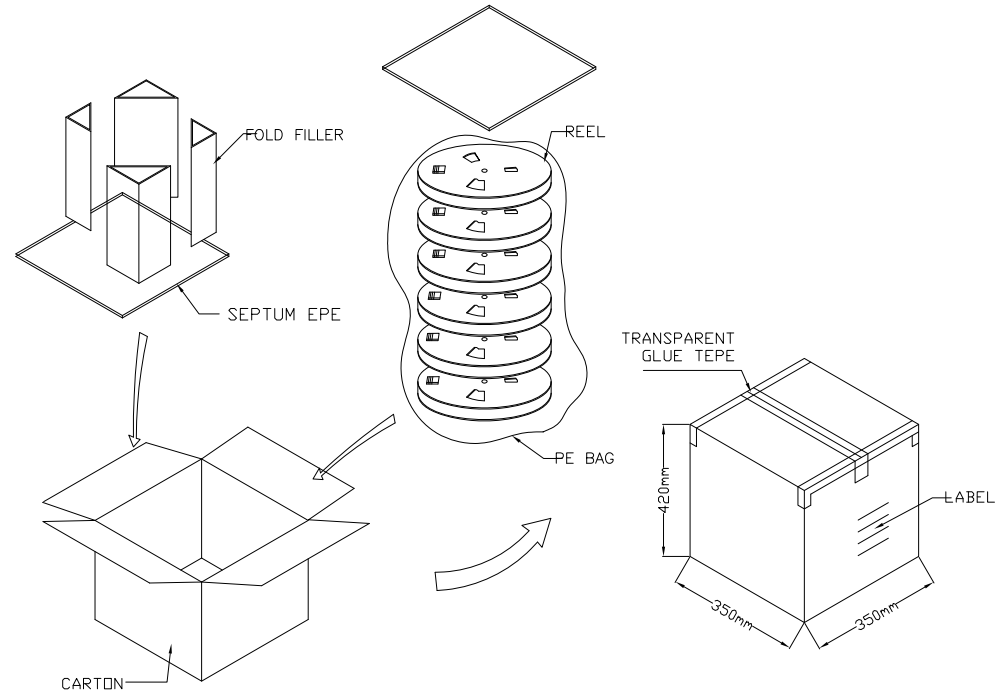
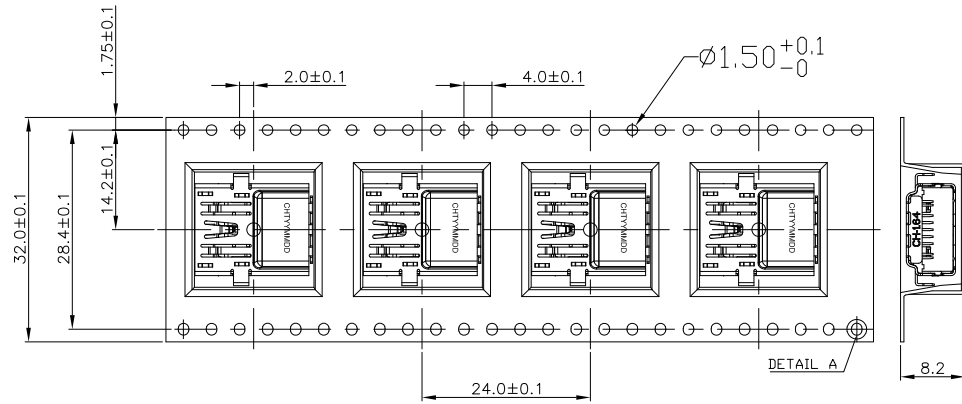
CHT 群匯科技股份有限公司
CHIUN HUEI Technology CO., LTD.

TITLE
USB3.0 Rece. A Type 90° DIP Type
CH=1.64MM

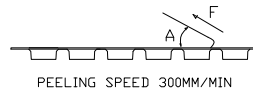
PART NO. SEE TABLE	DWG REV. C	SHEET NO. 1 OF 1
--------------------	------------	------------------

REVISION HISTORY			
REV	DESCRIPTION	Drawing	DATE
A	RELEASE	Mei Chen	2019/06/21
B	新增料號	Mei Chen	2019/08/20

PULL OUT DIRECTION



1. COVER TAPE PEELING FORCE:



A	15°~ 0°
F	0.1N~1.3N

2. PART DIMENSIONS MEET EIA-481-2-A REQUIREMENT

TABLE

PRODUCT P/N	PARTS PER SHIPPING CARTON	PARTS PER REEL	LOADED REEL PER SHIPPING CARTON
A0666-0101	2800	350	8
A0666-0003			
A0666-0001			

PRODUCT SPECIFICATION: DGS.No: SP-AXXX-001	SCALE 1 : 1	DESIGN UNITS mm	FULLINHOPE Technology, LTD.	
TEST REPORT DOC.No: TR-AXXX-001	DRAWN Mei Chen	DATE 2018/11/28		
GENERAL TOLERANCES (UNLESS SPECIFIED)	CHECKED	DATE		
X.XXX ± 0.20	APPROVED	DATE		
X.XX ± 0.20				
X.X ± 0.25				
ANGULAR ± 3°				
THIRD ANGLE PROJECTION	DWG NO. PA0666-001	PART NO. SEE TABLE	DWG REV. B	SHEET NO. 1 OF 1