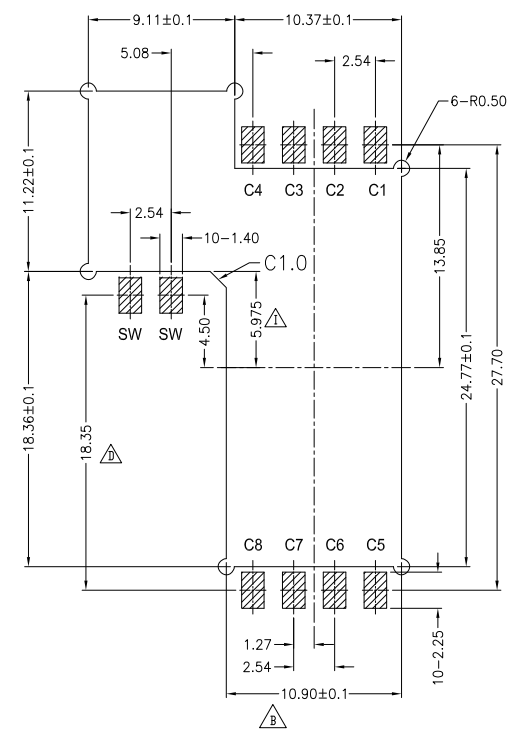
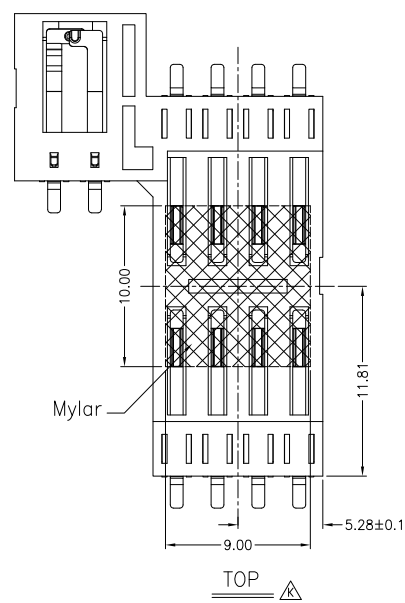
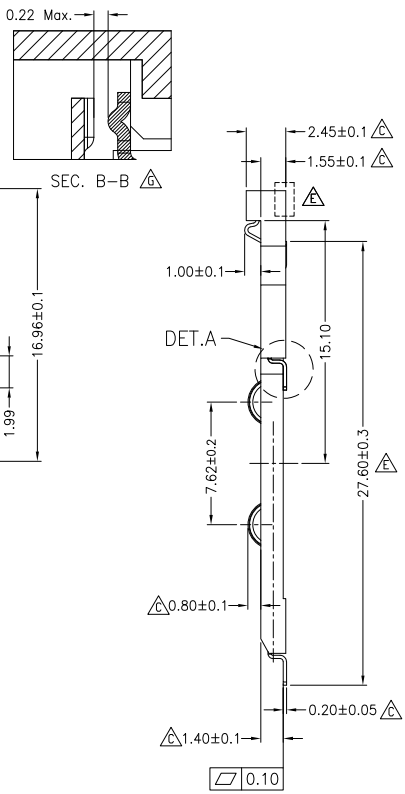
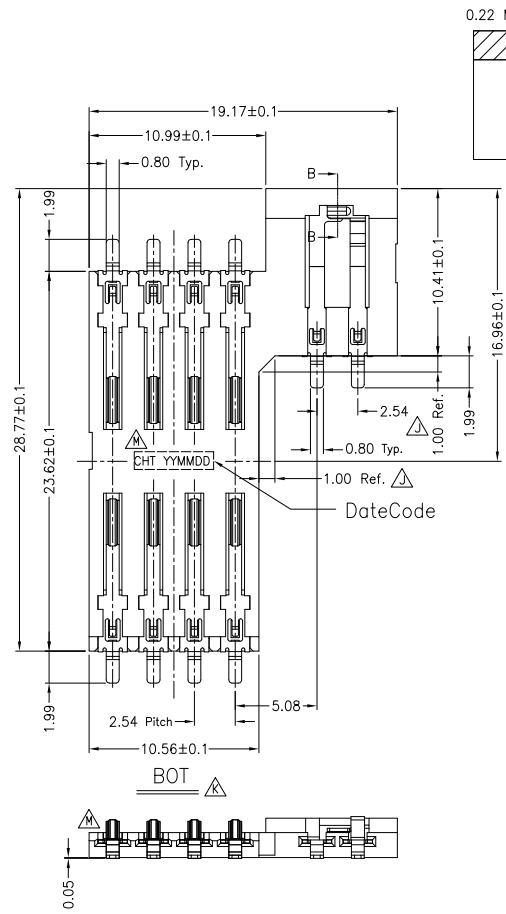
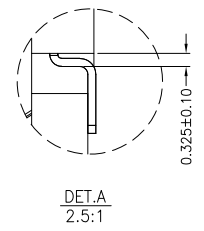
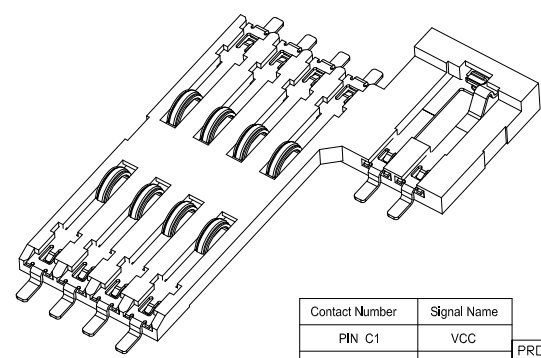


REVISION HISTORY			
REV	DESCRIPTION	Drawing	DATE
M	圖面整理	Allen	2020/12/18



RECOMMENDED PCB LAYOUT (TOP VIEW)
GENERAL TOLERANCES: ±0.05 (t=1.2)

- NOTES:
- MATERIAL AND PLATING:
Housing: LCP+30%G.F,UL94V-0,Black
Contact: C5191, PLATED SEE TABLE
 - MECHANICAL CHARACTERISTIC
Contact Force: 0.2Nf-0.6Nf.
Durability: 100,000 Cycles.
 - ELECTRICAL CHARACTERISTIC
Current Rating: 10uA Min, 1.0A Max.
Voltage Rating: 30V AC.
Contact Resistance: 100m Ohm Max.
Insulation Resistance: 1000M Ohm Min
Dielectric Withstanding Voltage: 500V AC Min
 - TEMPERATURE
Operating Temperature: -40°C~+85°C
Storage Temperature: -60°C~+105°C



Contact Number	Signal Name	PRODUCT SPECIFICATION: DOC.No: SP-AXXX-XX TEST REPORT DOC.No: TR-AXXX-XX GENERAL TOLERANCES (UNLESS SPECIFIED)	SCALE 1 : 1	DESIGN UNITS mm
PIN C1	VCC	X.XXX ± 0.10	DRAWN Mei Chen	DATE 2018/12/05
PIN C2	RST			
PIN C3	CLK	X.XX ± 0.25	CHECKED Mei Chen	DATE 2018/12/05
PIN C4	C4			
PIN C5	GND	X.X ± 0.38	APPROVED TJ	DATE 2018/12/05
PIN C6	VPP			
PIN C7	IO	ANGULAR ± 3°	DWG NO. SA0350-001	
PIN C8	C8			
PIN C9	SW-CD	THIRD ANGLE PROJECTION		
PIN C10	SW-CD-GND			

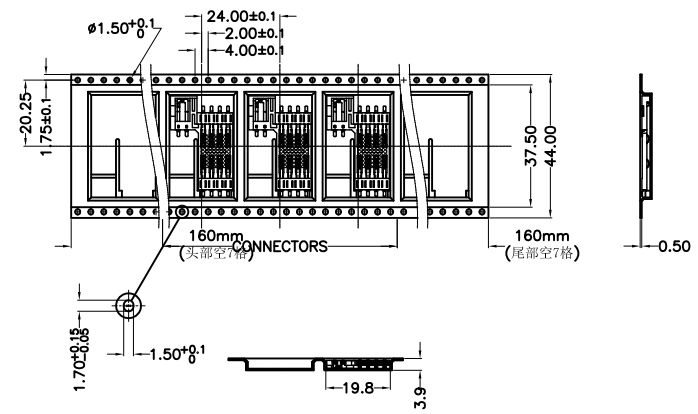
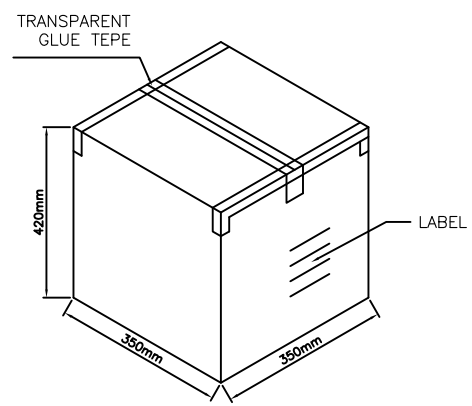
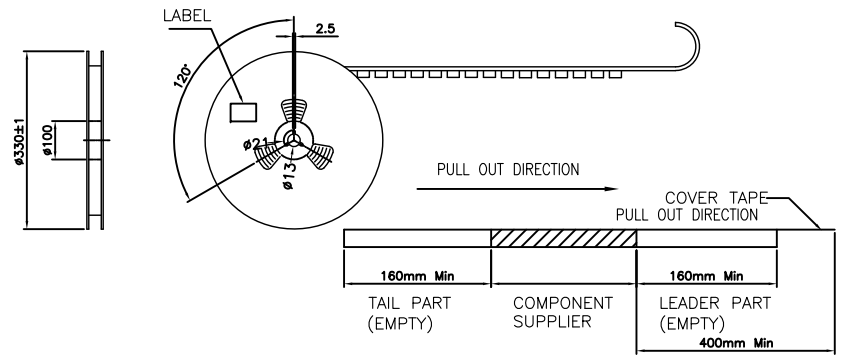
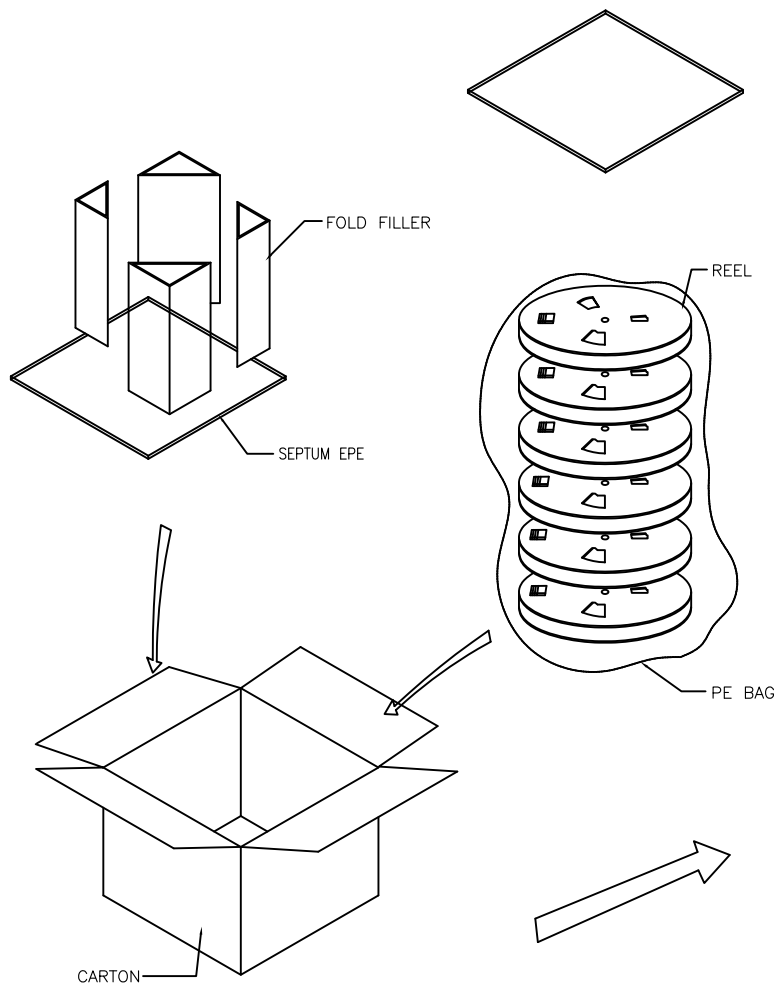
TABLE A	
FIH P/N	GOLD PLATING THICKNESS
A0350-0003	Au 30u"
A0350-0001	G/F

CHT 群匯科技股份有限公司
CHIUN HUEI Technology CO., LTD.

TITLE: SMART CARD SOCKET PRODUCT

PART NO. SEE TABLE	DWG REV. M	SHEET NO. 1 OF 1
-----------------------	---------------	---------------------

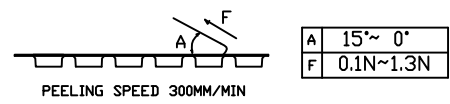
REVISION HISTORY			
REV	DESCRIPTION	Drawing	DATE
03	新增料號	Allen	2019/12/17



TABLE

PRODUCT P/N	PARTS PER SHIPPING CARTON	PARTS PER REEL	LOADED REEL PER SHIPPING CARTON
A0350-0003	6400	800	8
A0350-0001	6400	800	8

1. COVER TAPE PEELING FORCE:



2. PART DIMENSIONS MEET EIA-481-2-A REQUIREMENT

PRODUCT SPECIFICATION: DOC.No: SP-A-XXXX-XX	SCALE 1:1	DESIGN UNITS MM
TEST REPORT DOC.No: TR-A-XXXX-XX	DRAWN Linda	DATE 2019/12/12
GENERAL TOLERANCES (UNLESS SPECIFIED)	CHECKED Allen	DATE 2019/12/12
X.XXX ± 0.10	APPROVED	DATE
X.XX ± 0.25	TJ	2019/12/12
X.X ± 0.38		
ANGULAR ± 3°		
THIRD ANGLE PROJECTION	DWG NO. PA0350-001	PART NO. SEE TABLE

CHT 群匯科技股份有限公司
CHIUN HUEI Technology CO., LTD.

TITLE
SMART CARD SOCKET
PRODUCT H=1.4

PART NO. SEE TABLE	DWG REV. 03	SHEET NO. 1 OF 1
-----------------------	----------------	---------------------