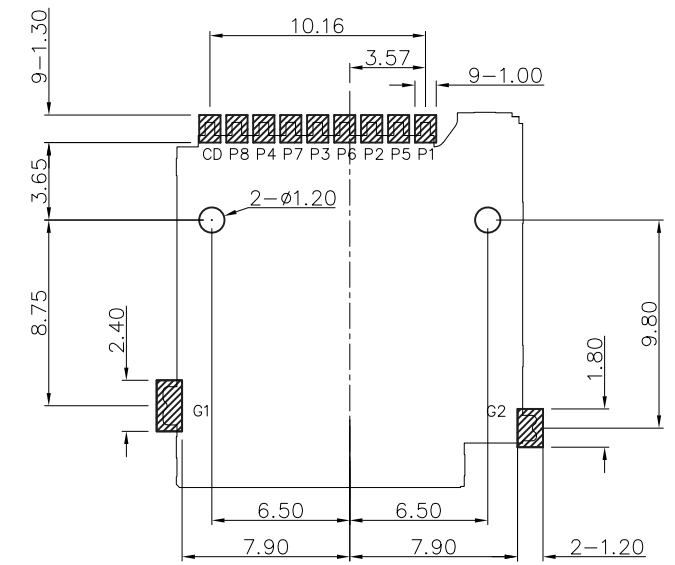
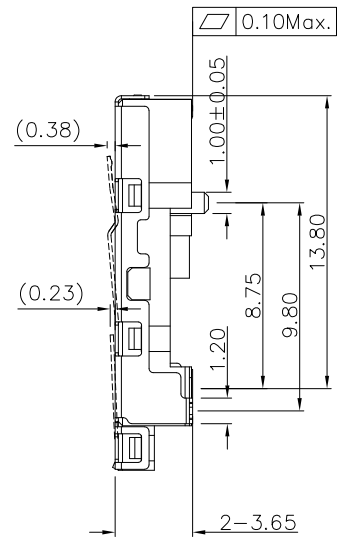
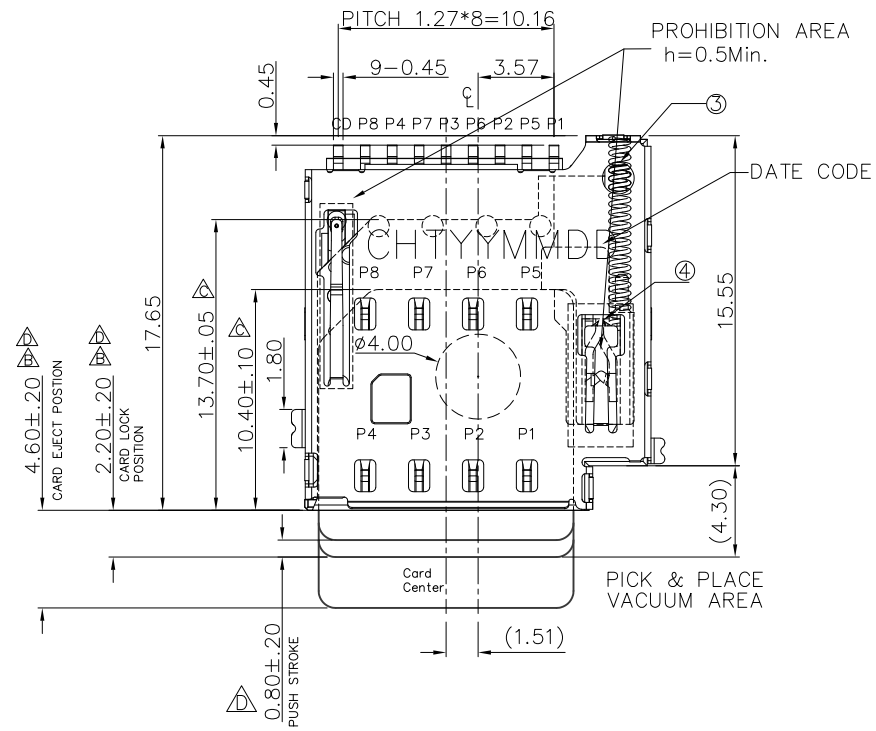
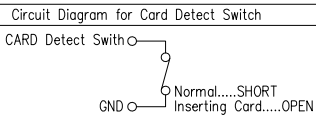
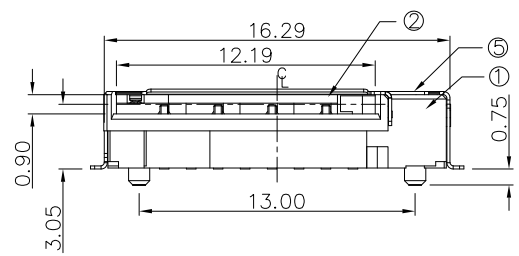


REVISION HISTORY			
REV	DESCRIPTION	Drawing	DATE
D	取消参考尺寸	Mei Chen	2018/12/25



RECOMENDED P.C.B LAYOUT
(General Tolerance±0.05)

Connector terminal NO.	Pin Name
PIN 1	VCC
PIN 2	RST
PIN 3	CLK
PIN 4	RFU
PIN 5	GND
PIN 6	VPP
PIN 7	I/O
PIN 8	RFU
G1~G2	GND
CD	CARD DETECTOR



NO.	DESCRIPTION	Q'TY	MATERIAL	REMARK
5	SHELL	1	SUS304	NICKEL PLATING
4	CRANK	1	STAINLESS STEEL	N/A
3	SPRING	1	SWPB	NICKEL PLATING
2	CONTACT	9	C5210	G/F(Au 1u") /Ni 50u"
1	HOUSING	2	LCP E130i	UL94V-0

TABLE

FIH P/N	TABLE A GOLD PLATING THICKNESS
A0291-0003	Au30u
A0291-0001	G/F

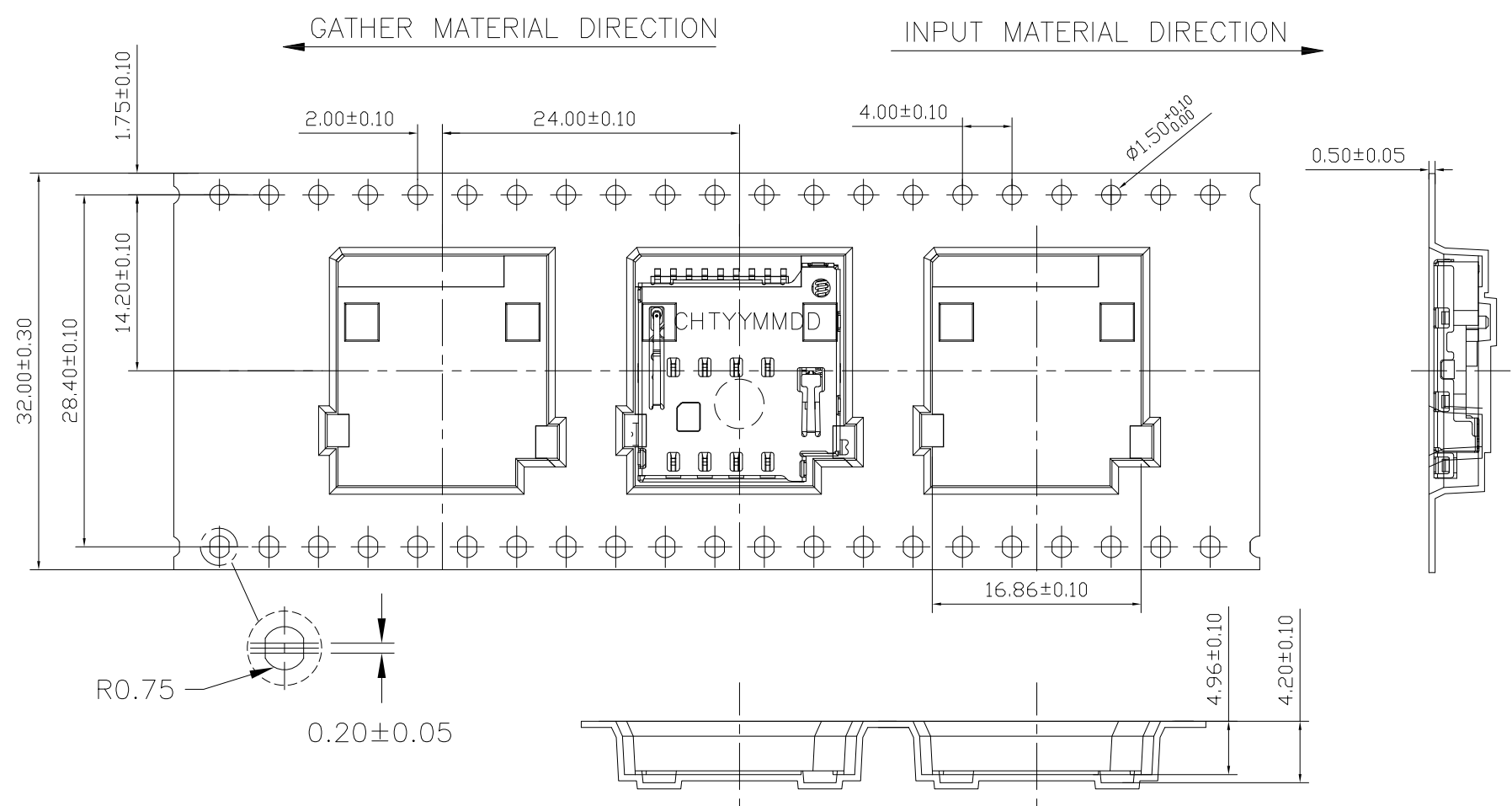
PRODUCT SPECIFICATION: DOC.No: SP-AXXX-XX	SCALE 1 : 1	DESIGN UNITS mm
TEST REPORT DOC.No: TR-AXXX-XX	DRAWN Mei Chen	DATE 2014/09/30
GENERAL TOLERANCES (UNLESS SPECIFIED)	CHECKED	DATE
X.XXX ± 0.20	APPROVED	DATE
X.XX ± 0.20		
X.X ± 0.25		
ANGULAR ± 3°	DWG NO. SA0291-001	
THIRD ANGLE PROJECTION		

CHT 群匯科技股份有限公司
CHUIN HUEI Technology CO., LTD.

TITLE
MICRO SIM PUSH-PUSH,
8P,H=3.65

PART NO. TABLE A	DWG REV. D	SHEET NO. 1 OF 1
---------------------	---------------	---------------------

REVISION HISTORY			
REV	DESCRIPTION	Drawing	DATE
A	RELEASE	Mei Chen	2014/11/10



1. COVER TAPE PEELING FORCE:
-
- | | |
|---|-----------|
| A | 15°~ 0° |
| F | 0.1N~1.3N |
- PEELING SPEED 300MM/MIN
2. PART DIMENSIONS MEET EIA-481-2-A REQUIREMENT

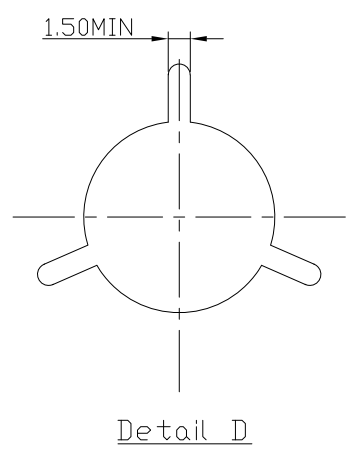
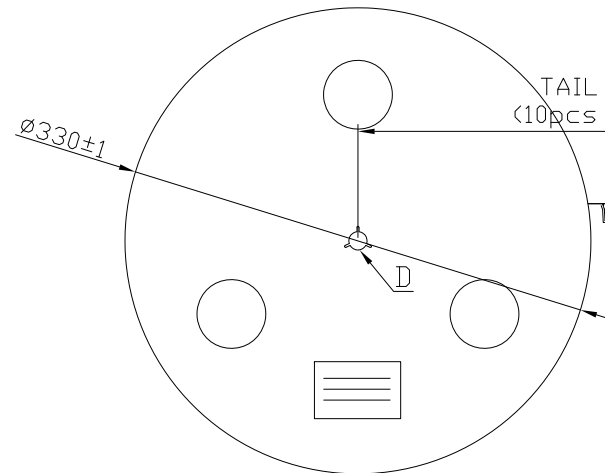
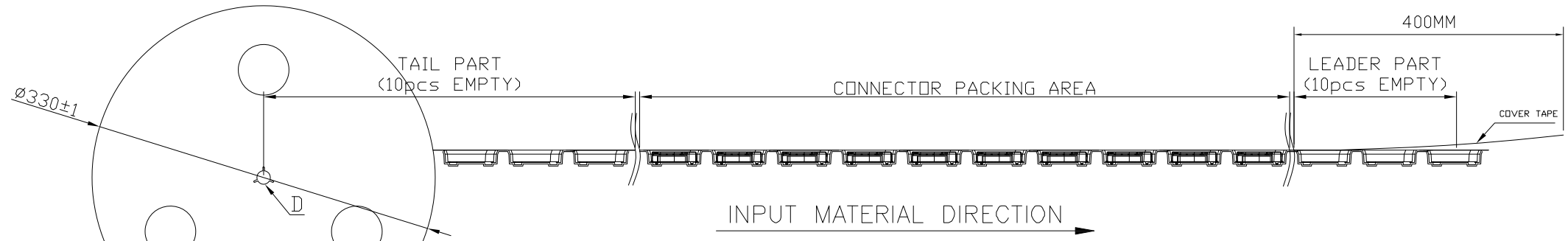


TABLE				
PRODUCT P/N	PARTS PER SHIPPING CARTON	PARTS PER REEL (S.P.Q.)	TOTAL REELS PER SHIPPING CARTON	
A0291-0003	3000(PCS)	500(PCS)	6	
A0291-0001				
PRODUCT SPECIFICATION: DOC.No: SP-Axxxx-xx	SCALE 1 : 1	DESIGN UNITS mm	CHT 群匯科技股份有限公司 CHIUN HUEI Technology CO., LTD.	
TEST REPORT DOC.No: TR-Axxxx-xx	DRAWN Mei Chen	DATE 2014/10/09		
GENERAL TOLERANCES (UNLESS SPECIFIED)	CHECKED	DATE		
	APPROVED	DATE		
X.XXX ± 0.20			TITLE MICRO SIM PUSH-PUSH, 8P,H3.65	
X.XX ± 0.20				
X.X ± 0.25				
ANGULAR ± 3°				
THIRD ANGLE PROJECTION	DWG NO. PA0291-001	PART NO. SEE TABLE	DWG REV. A	SHEET NO. 1 OF 1