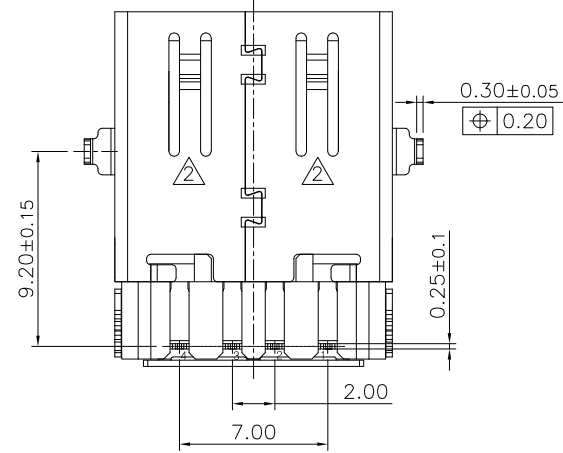
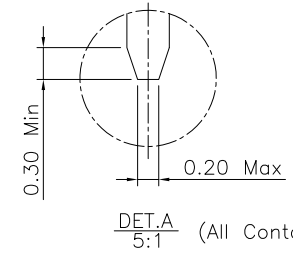
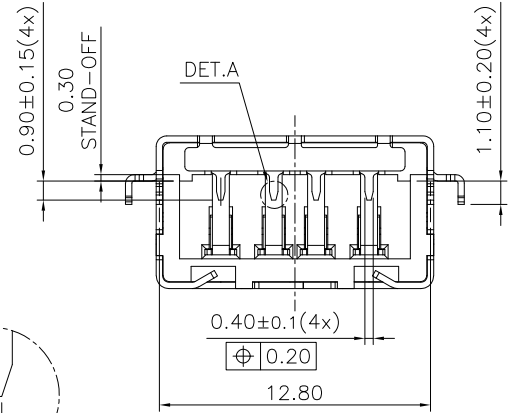
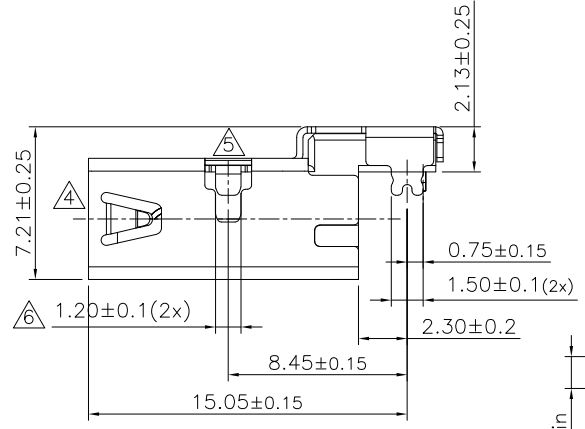
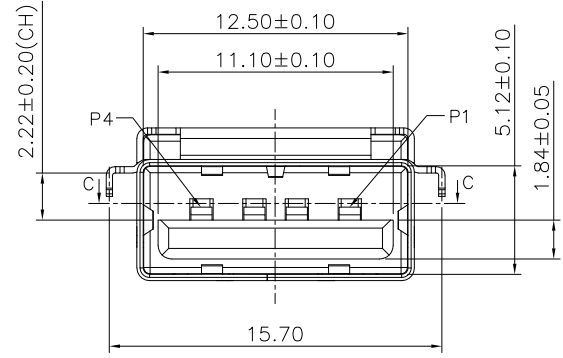
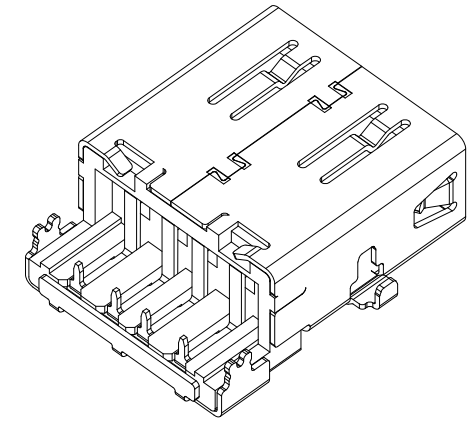
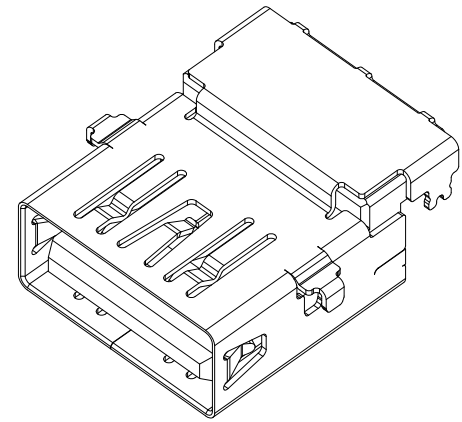
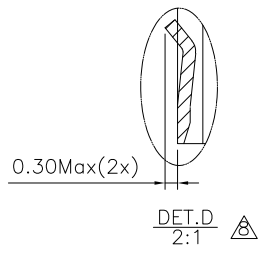
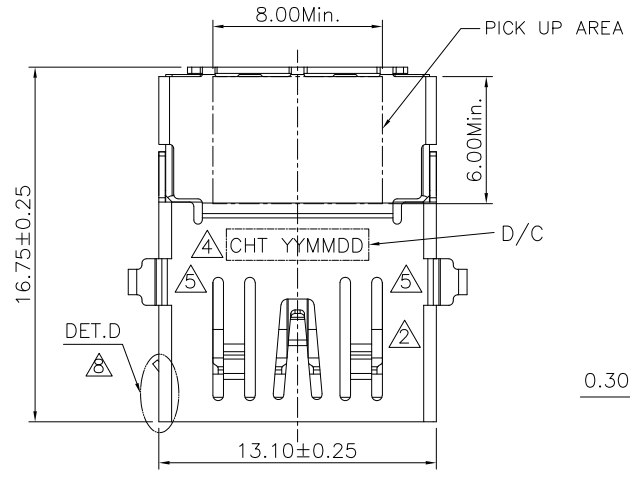


REVISION HISTORY		
REV	DESCRIPTION	Drawing DATE
08	變更圖面擺放位置	Allen 2021/01/25



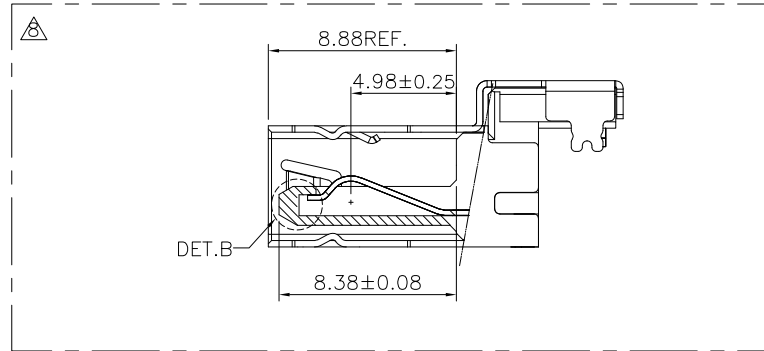
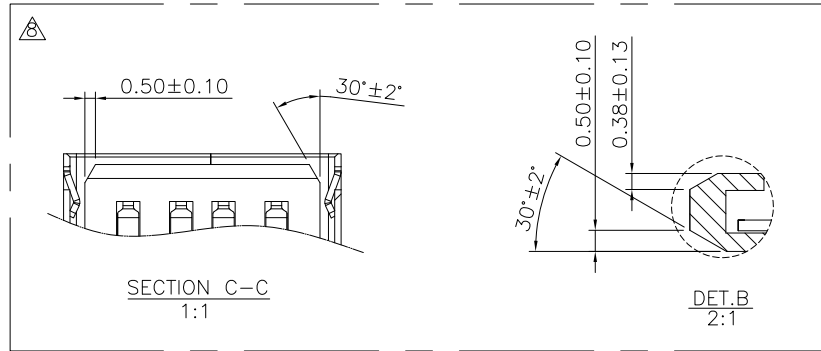
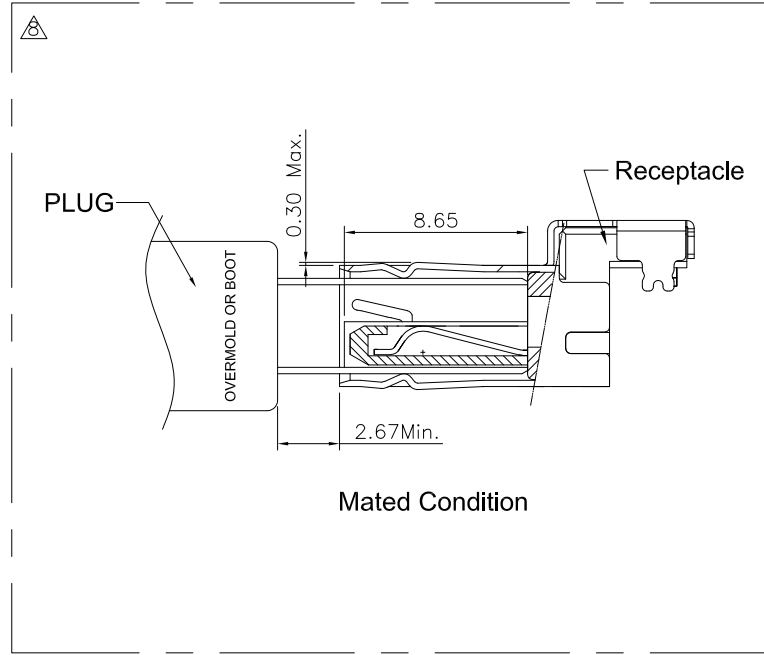
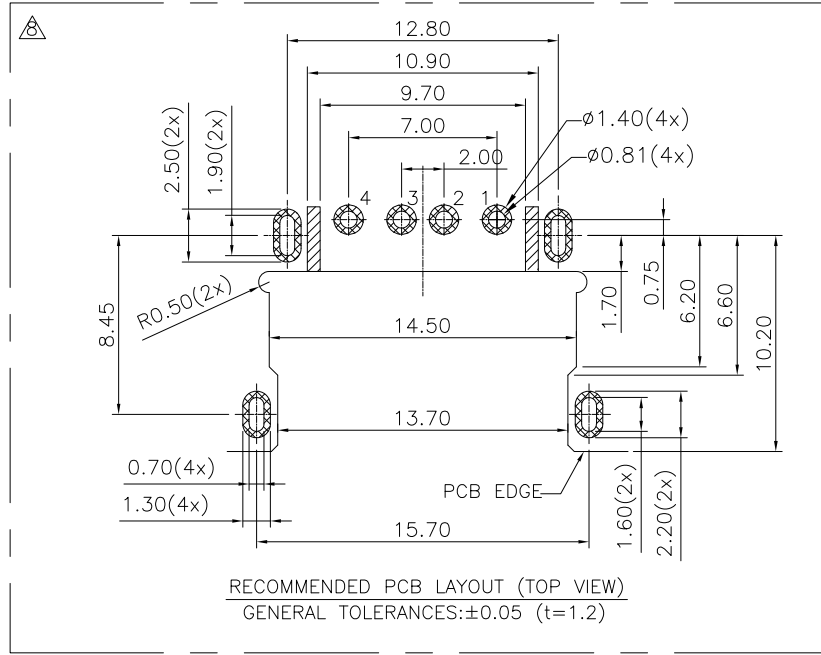
PRODUCT SPECIFICATION: DOC.No: SP-AXXX-XX	SCALE 1 : 1	DESIGN UNITS mm
TEST REPORT DOC.No: TR-AXXX-XX	DRAWN ALLEN	DATE 2020/07/02
GENERAL TOLERANCES (UNLESS SPECIFIED)	CHECKED	DATE
X.XXX ± 0.10	APPROVED	DATE
X.XX ± 0.25	DWG NO. SA0824-001	
X.X ± 0.38		
ANGULAR ± 3°		
THIRD ANGLE PROJECTION		

TABLE	
FIH P/N	TABLE A GOLD PLATING THICKNESS
A0824-0003	Au 30u"
A0824-0001	G/F

CHT 群匯科技股份有限公司
CHIUN HUEI Technology CO., LTD.

TITLE
USB 2.0 A TYPE RECEPTACLE REVERSE
RIGHT ANGLE DIP C/H=-2.22mm

PART NO. TABLE A	DWG REV. 08	SHEET NO. 1 OF 2
---------------------	----------------	---------------------



Contact Number	Signal Name
PIN1	VBUS
PIN2	D-
PIN3	D+
PIN4	GND
Shell	Shield

- NOTE:
- MATERIAL:
 - INSULATOR: HIGH TEMPERATURE THERMOPLASTIC, UL94V-0, COLOR: BLACK
 - CONTACT: COPPER ALLOY.
 - SHELL: METAL.
 - FINISH:
 - TERMINAL: 50μ" MIN. NICKEL PLATED OVERALL
 - CONTACT: SELECTIVE GOLD PLATED, SEE TABLE A
 - TAIL: 100μ" MIN MATT-TIN PLATED
 - SHELL: 50μ" MIN. NICKEL PLATED OVERALL

PRODUCT SPECIFICATION: DOC.No: SP-Axxxx-xx	SCALE 1 : 1	DESIGN UNITS mm
TEST REPORT DOC.No: TR-Axxxx-xx	DRAWN ALLEN	DATE 2020/07/02
GENERAL TOLERANCES (UNLESS SPECIFIED)	CHECKED	DATE
X.XXX ± 0.10	APPROVED	DATE
X.XX ± 0.25		
X.X ± 0.38		
ANGULAR ± 3°		
THIRD ANGLE PROJECTION	DWG NO. SA0824-001	PART NO. TABLE A

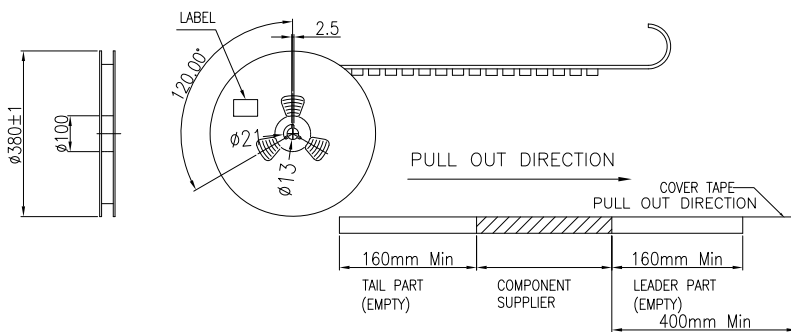
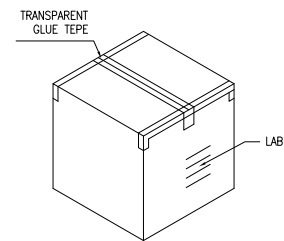
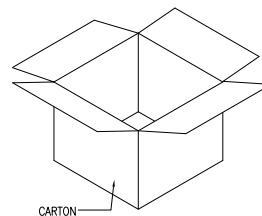
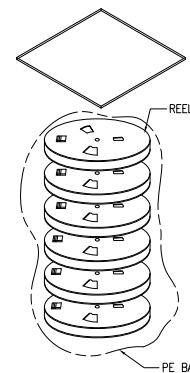
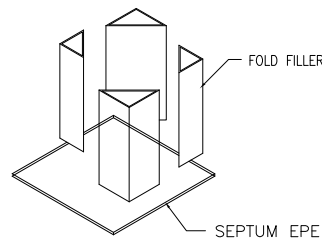
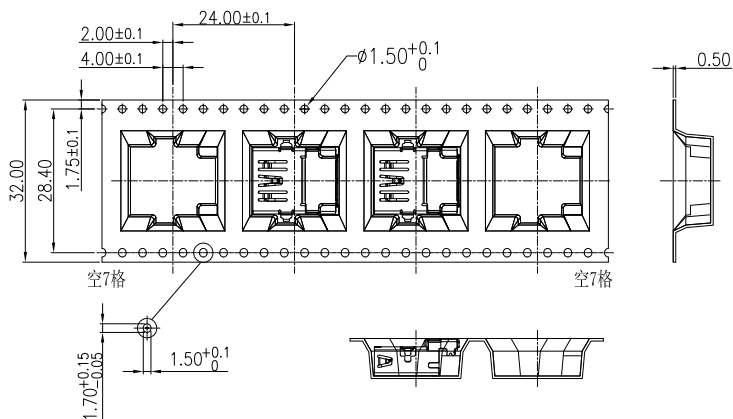
CHT 群匯科技股份有限公司
CHUIN HUEI Technology CO., LTD.

TITLE USB 2.0 A TYPE RECEPTACLE REVERSE RIGHT ANGLE DIP C/H=-2.22mm		
DWG REV. 08	SHEET NO. 2 OF 2	

REVISION HISTORY

REV	DESCRIPTION	Drawing	DATE
01	修改Title的說明	Allen	2021/01/25

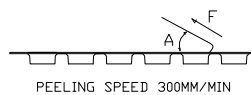
USER DIRECTION OFF UNREELING



TABLE

PRODUCT P/N	PARTS PER SHIPPING CARTON	PARTS PER REEL	LOADED REEL PER SHIPPING CARTON
A0824-0003	5000	500	10
A0824-0001			

1.COVER TAPE PEELING FORCE:



A	15°~ 0°
F	0.1N~1.3N

PEELING SPEED 300MM/MIN

2.PART DIMENSIONS MEET EIA-481-2-A REQUIREMENT

PRODUCT SPECIFICATION: DOC.No: SP-Axxxx-xx	SCALE 1 : 1	DESIGN UNITS mm
TEST REPORT DOC.No: TR-Axxxx-xx	DRAWN Allen	DATE 2020/08/10
GENERAL TOLERANCES (UNLESS SPECIFIED)	CHECKED	DATE
X.XXX ± 0.10	APPROVED	DATE
X.XX ± 0.25	DWG NO. PA0824-001	PART NO. SEE TABLE
X.X ± 0.38	DWG REV. 02	SHEET NO. 1 OF 1
ANGULAR ± 3°	THIRD ANGLE PROJECTION	

CHT 群匯科技股份有限公司
CHIUN HUEI Technology CO., LTD.

TITLE
USB 2.0 A TYPE RECEPTACLE REVERSE
RIGHT ANGLE DIP C/H=-2.22mm