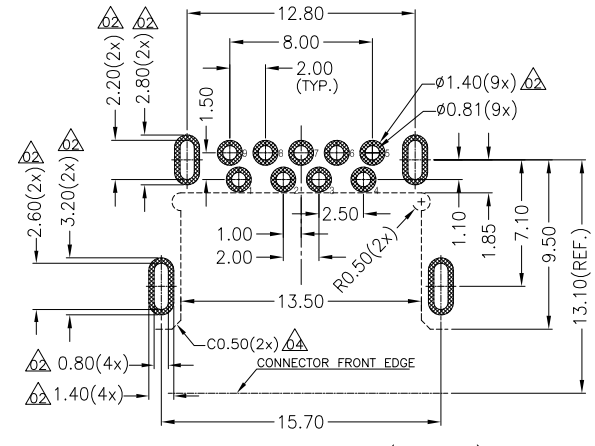
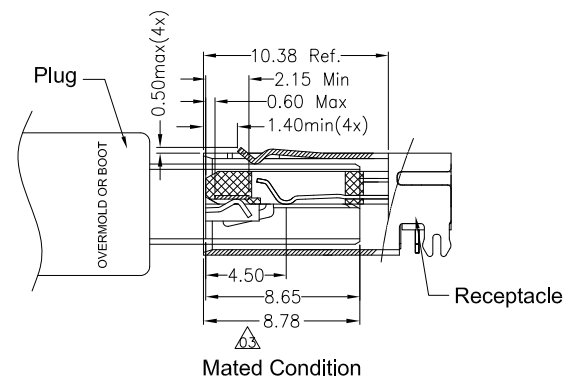
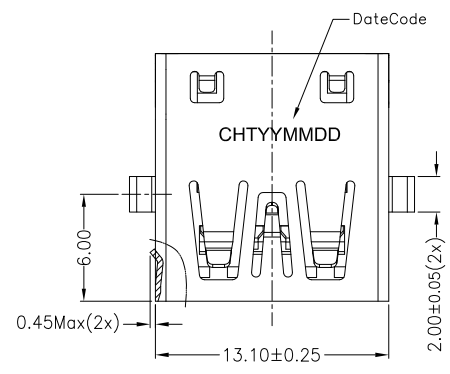
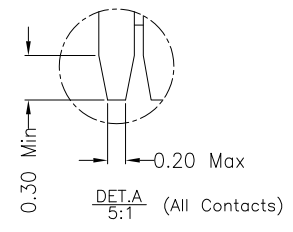
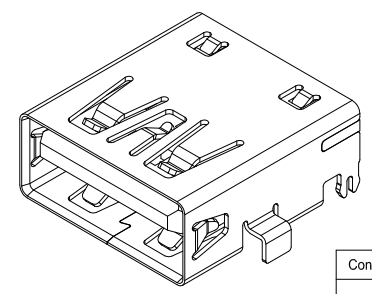
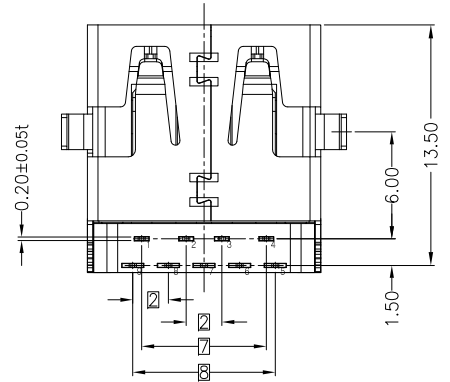
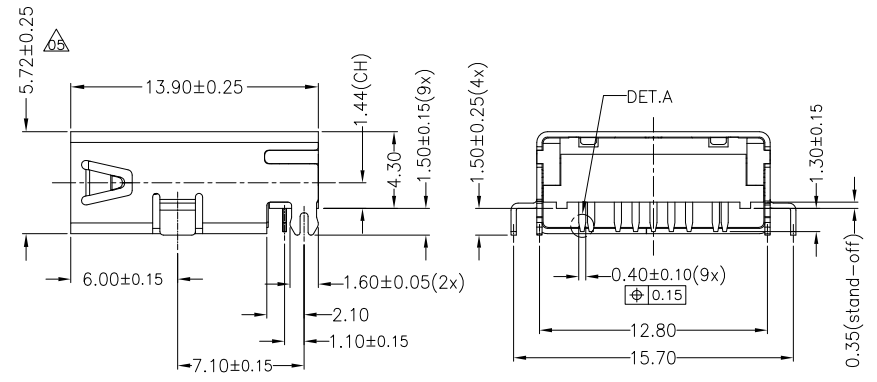
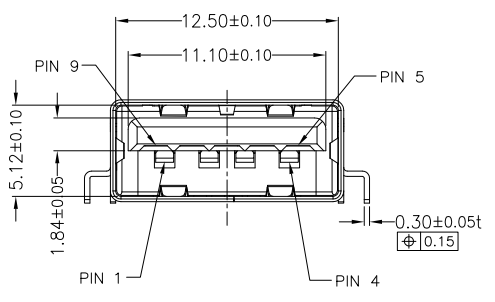


REVISION HISTORY			
REV	DESCRIPTION	Drawing	DATE
01	PROPOSAL	Mei Chen	2019/04/16
02	PROPOSAL	Mei Chen	2019/04/18
03	PROPOSAL	Mei Chen	2019/04/24
04	PROPOSAL	Mei Chen	2019/04/27
05	PROPOSAL	Mei Chen	2019/04/30



RECOMMENDED PCB LAYOUT (TOP VIEW)
GENERAL TOLERANCES: ±0.05 (t=1.2)



- NOTE:
- MATERIAL:
 - INSULATOR: HIGH TEMPERATURE THERMOPLASTIC, UL94V-0, COLOR: BLUE
 - CONTACT: COPPER ALLOY.
 - SHELL: STAINLESS
 - FINISH:
 - TERMINAL: 50u" MIN. NICKEL PLATED OVERALL
 - CONTACT: SELECTIVE GOLD PLATED, SEE TABLE A
 - TAIL: 100u" MIN MATT-TIN PLATED
 - SHELL: 80u" MIN. NICKEL PLATED OVERALL
 - PRODUCT SPECIFICATION REFER TO SP-A0564-01
 - PACKAGE DRAWING REFER TO PA0564-01
 - PRODUCT MUST CONFORM TO RoHS AND HALOGEN FREE REQUIREMENT

Contact Number	Signal Name
PIN1	VBUS
PIN2	D-
PIN3	D+
PIN4	GND
PIN5	StdA_SSRX-
PIN6	StdA_SSRX+
PIN7	GND_DRAIN
PIN8	StdA_SSTX-
PIN9	StdA_SSTX+
Shell	Shield

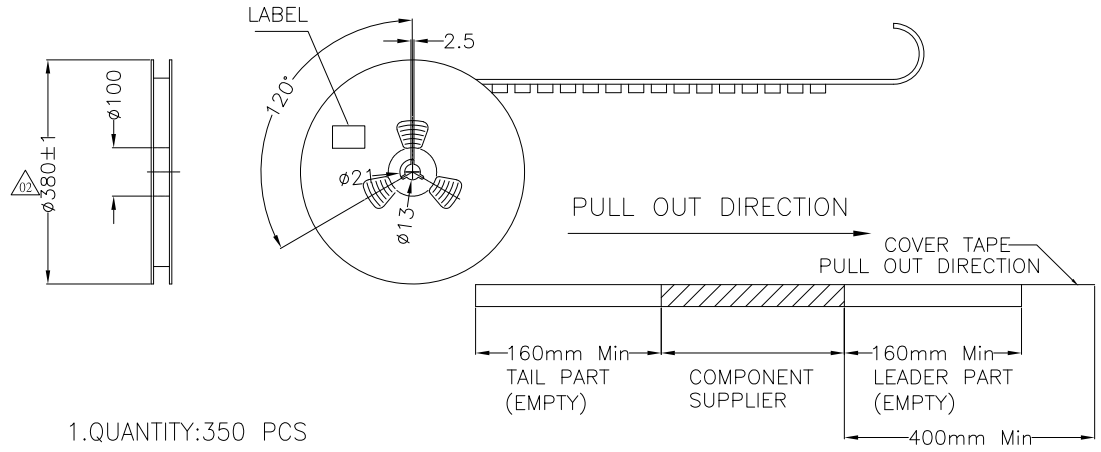
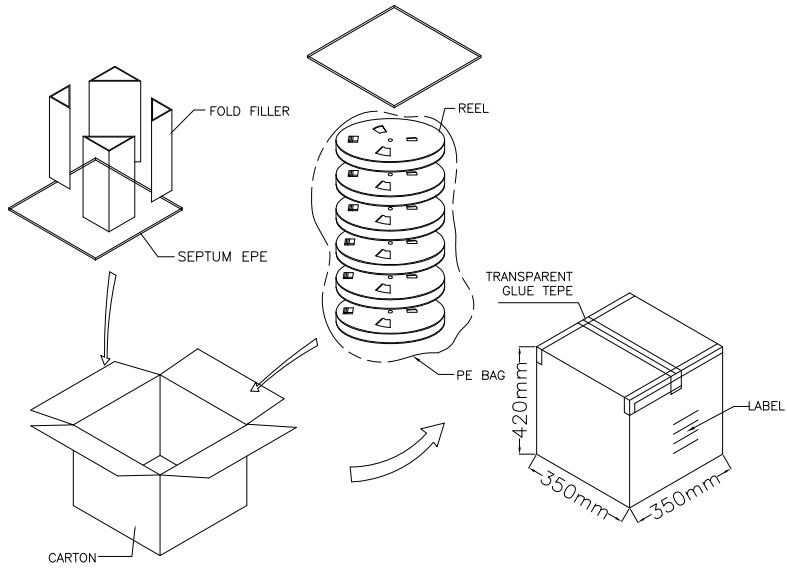
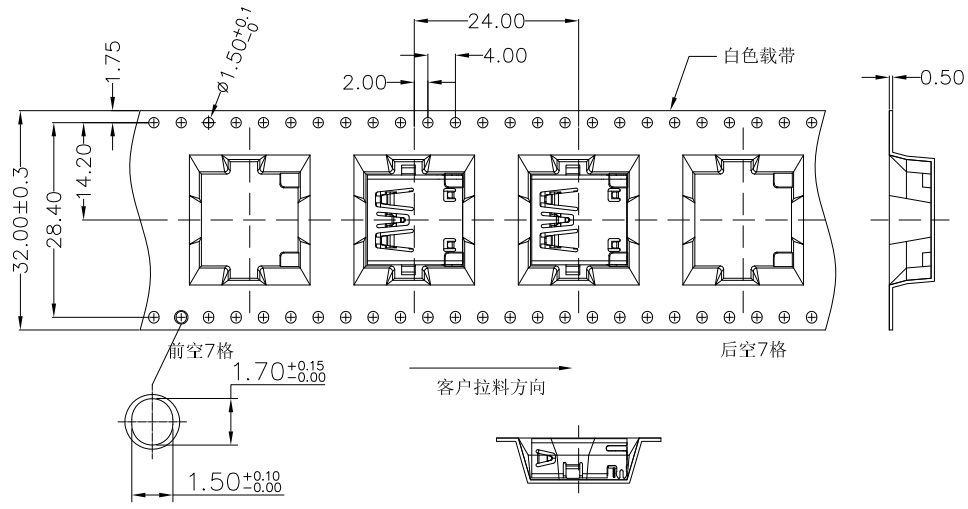
PRODUCT SPECIFICATION: DOC.No: SP-A0564-001	SCALE 1 : 1	DESIGN UNITS MM
TEST REPORT DOC.No: TR-A0564-001	DRAWN Mei Chen	DATE 2019/04/16
GENERAL TOLERANCES (UNLESS SPECIFIED)	CHECKED	DATE
X.XXX ± 0.20	APPROVED	DATE
X.XX ± 0.20		
X.X ± 0.25		
ANGULAR ± 3°	DWG NO. SA0703-001	PART NO. SEE TABLE
THIRD ANGLE PROJECTION	DWG REV. 05	SHEET NO. 1 OF 1

FIH P/N	TABLE A GOLD PLATING THICKNESS
A0703-0003	Au30u
A0703-0001	G/F

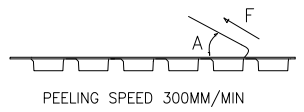
CHT 群匯科技股份有限公司
CHIUN HUEI Technology CO., LTD.

TITLE
USB3.0 Rec. A Type 90° DIP Type
CH=1.44MM Product

REVISION HISTORY			
REV	DESCRIPTION	Drawing	DATE
02	工廠變更包裝膠盤尺寸及數量	Linda	2019/08/26



1. QUANTITY: 350 PCS
2. COVER TAPE PEELING FORCE:



A	15° ~ 0°
F	0.1N ~ 1.3N

3. PART DIMENSIONS MEET EIA-481-D REQUIREMENT

PRODUCT P/N	PARTS PER SHIPPING CARTON	PARTS PER REEL	LOADED REEL PER SHIPPING CARTON
A0703-0003	6000	600	10
A0703-0001			

PRODUCT SPECIFICATION: DOC.No. SP-Axxxx-001	SCALE 1:1	DESIGN UNITS mm
TEST REPORT DOC.No. TR-Axxxx-001	DRAWN Linda	DATE 2019/08/26
GENERAL TOLERANCES (UNLESS SPECIFIED)	CHECKED Mei	DATE 2019/08/26
X.XXX ± 0.20	APPROVED TJ	DATE 2019/08/26
X.XX ± 0.20		
X.X ± 0.25		
ANGULAR ± 3°		

CHT 群匯科技股份有限公司
CHIUN HUEI Technology CO., LTD.

TITLE
USB3.0 Rece. A Type 90°
DIP Type CH=1.44MM

THIRD ANGLE PROJECTION	DWG NO. PA0703-001	PART NO. SEE TABLE	DWG REV. 02	SHEET NO. 1 OF 1
------------------------	--------------------	--------------------	-------------	------------------