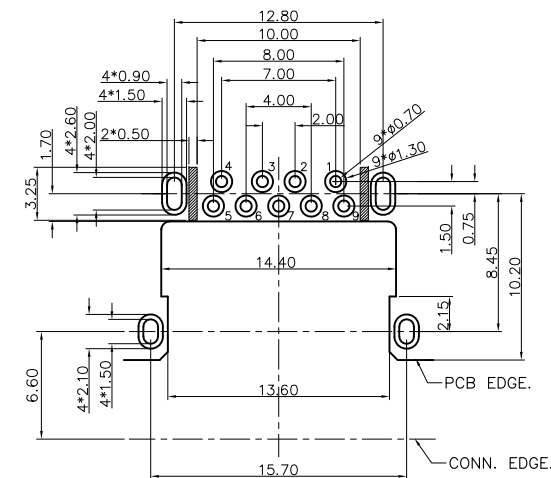
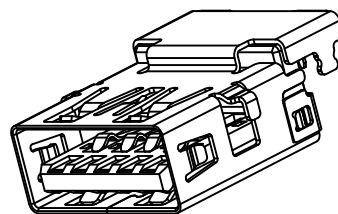
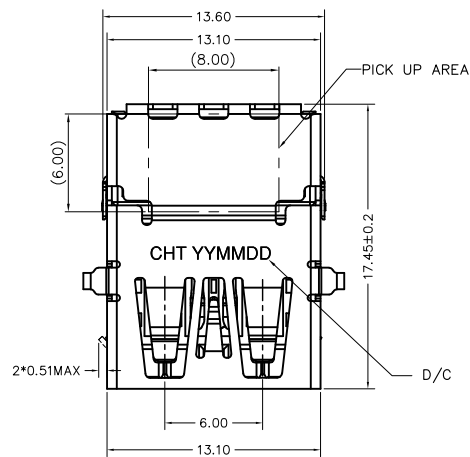
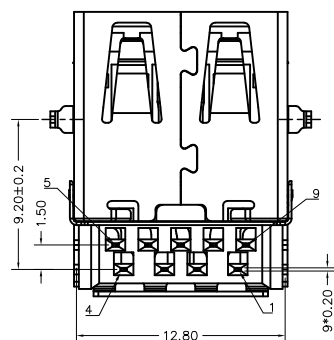
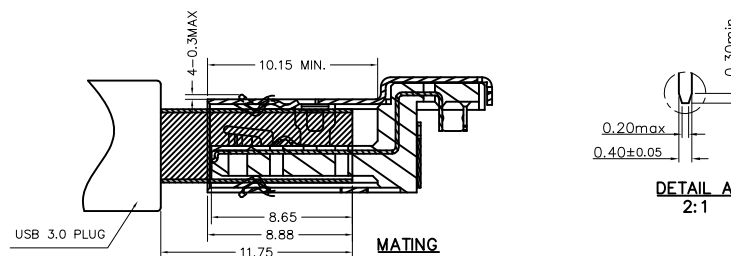
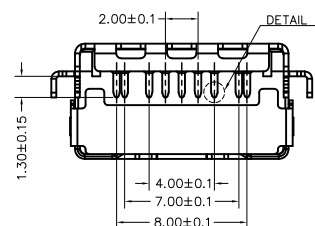
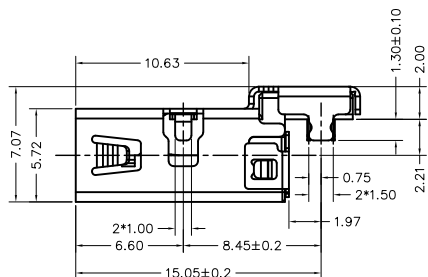
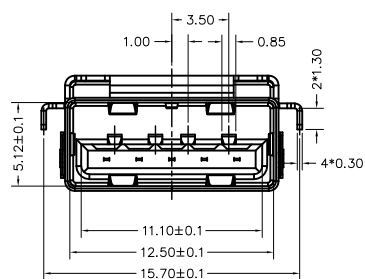


REVISION HISTORY		
REV	DESCRIPTION	DATE
A	RELEASE	2018/10/30



RECOMMENDED P.C.B LAYOUT(T=1.2mm)
(COMPONENT SIDE) TOLERANCE=±0.03 TOP VIEW

- NOTE:
- MATERIAL:
 - INSULATOR: LCP , UL94V-0, COLOR: BLACK
 - CONTACT: COPPER ALLOY.
 - COVER: STAINLESS.
 - SHELL: STAINLESS
 - FINISH:
 - TERMINAL: 50u" MIN. NICKEL PLATED OVERALL
 - CONTACT: SELECTIVE GOLD PLATED, SEE TABLE A
 - TAIL: 120u" MIN MATT-TIN PLATED
 - SHELL: 80u" MIN. NICKEL PLATED OVERALL
 - PRODUCT SPECIFICATION REFER TO SP-A0598-01
 - PACKAGE DRAWING REFER TO PA0598-01
 - PRODUCT MUST CONFORM TO RoHS AND HALOGEN FREE REQUIREMENT



TABLE

FIH P/N	TABLE A GOLD PLATING THICKNESS
A0598-0003	Au 30u
A0598-0001	G/F

PIN NO.	1	2	3	4	
SIGNAL NAME	VBUS	D-	D+	GND	
REMARK	USB2.0 CONTACT PIN				
PIN NO.	5	6	7	8	9
SIGNAL NAME	SSRX-	SSRX+	GND	SSTX-	SSTX+
REMARK	USB3.0 CONTACT PIN				

PRODUCT SPECIFICATION: DOC.No. SP-A0598-01	SCALE 1 : 1	DESIGN UNITS mm
TEST REPORT DOC.No. TR-A0598-01	DRAWN Mei Chen	DATE 2018/06/14
GENERAL TOLERANCES (UNLESS SPECIFIED)	CHECKED	DATE
X.XXX ± 0.10	APPROVED	DATE
X.XX ± 0.25		
X.X ± 0.38		
ANGULAR ± 3°	DWG NO. SA0598-001	
THIRD ANGLE PROJECTION		

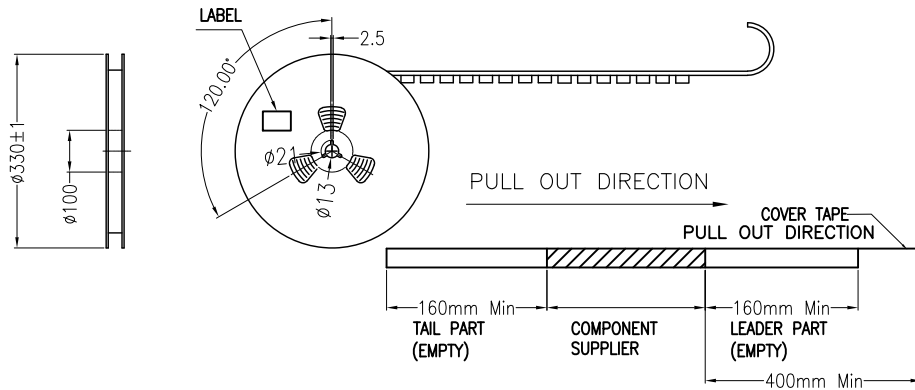
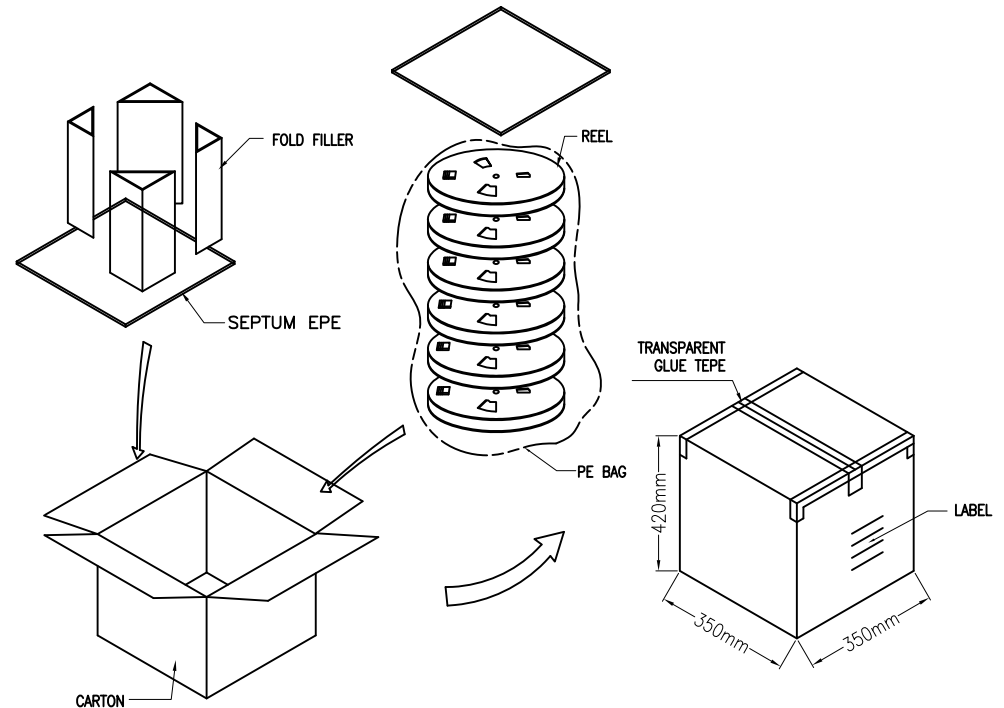
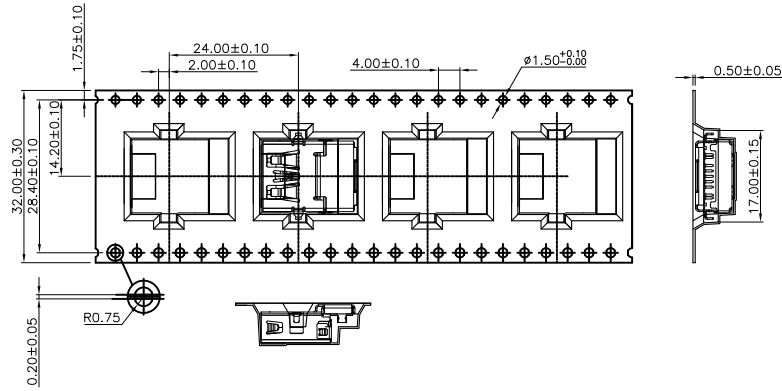
CHT 群匯科技股份有限公司
CHIUN HUEI Technology CO., LTD.

TITLE
USB3.0 Rece. A Type 90° DIP Type
CH=2.21MM

PART NO.	DWG REV.	SHEET NO.
TABLE A	A	1 OF 1

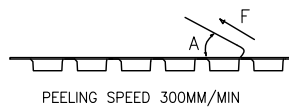
REVISION HISTORY			
REV	DESCRIPTION	Drawing	DATE
A	RELEASE	Sandy	2018/10/30
B	修改包裝數量	Linda	2019/05/23

PULL OUT DIRECTION



1. QUANTITY: 300 PCS

2. COVER TAPE PEELING FORCE:



A	15°~ 0°
F	0.1N~1.3N

3. PART DIMENSIONS MEET EIA-481-D REQUIREMENT

TABLE

PRODUCT P/N	PARTS PER SHIPPING CARTON	PARTS PER REEL	LOADED REEL PER SHIPPING CARTON
A0598-0003	2100	300	7
A0598-0001			

PRODUCT SPECIFICATION: DOC.No: SP-Axxxx-xx	SCALE 1 : 1	DESIGN UNITS mm
TEST REPORT DOC.No: TR-Axxxx-xx	DRAWN Linda	DATE 2019/05/23
GENERAL TOLERANCES (UNLESS SPECIFIED)	CHECKED	DATE
X.XXX ± 0.10	APPROVED	DATE
X.XX ± 0.25		
X.X ± 0.38		
ANGULAR ± 3		
THIRD ANGLE PROJECTION	DWG NO. PA0598-001	PART NO. SEE TABLE

CHT 群匯科技股份有限公司
CHIUN HUEI Technology CO., LTD.

TITLE
USB3.0 Rece. A Type 90° DIP Type
CH=2.21MM

DWG REV. B	SHEET NO. 1 OF 1
---------------	---------------------