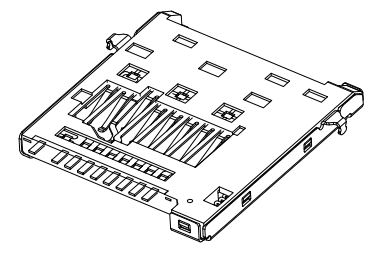
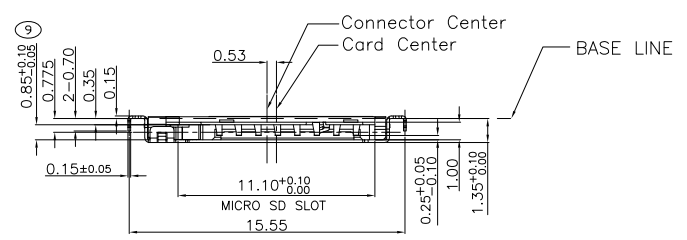
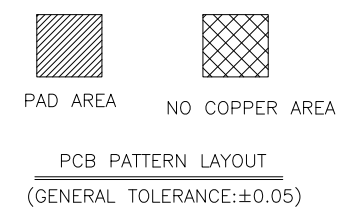
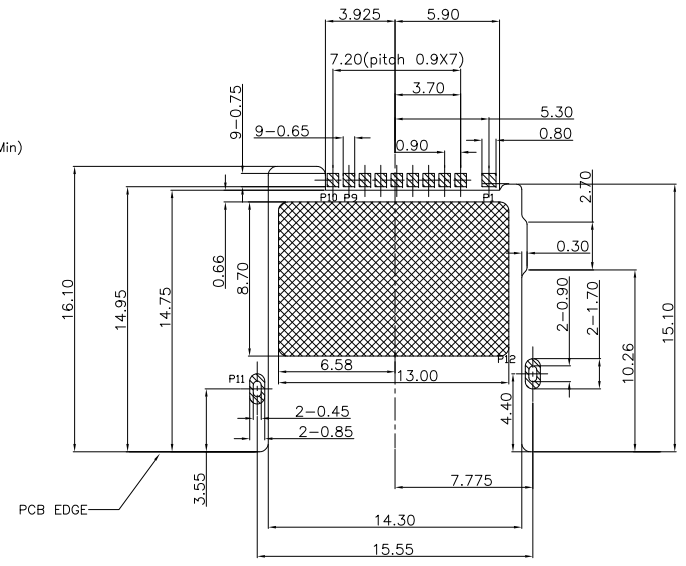
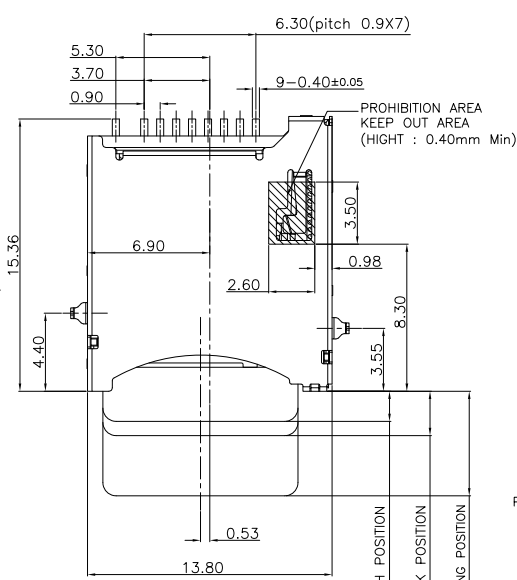
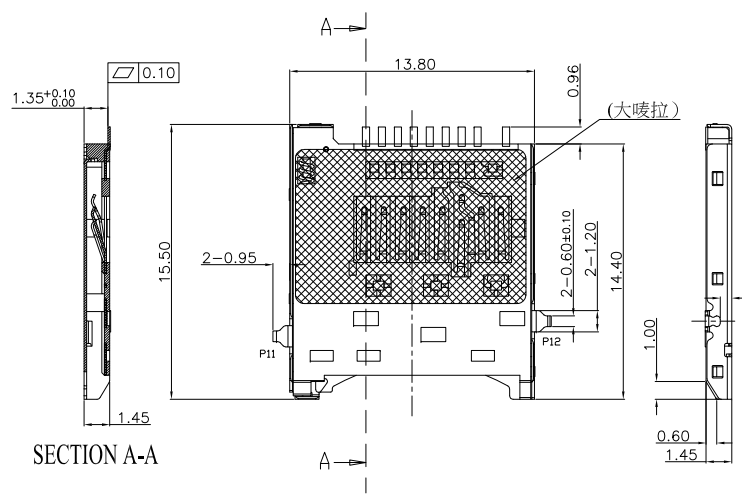


REVISION HISTORY			
REV	DESCRIPTION	Drawing	DATE
01	PROPOSAL	Allen	2020/10/26



- NOTES:
- MATERIAL:
 - 1.1 PLASTIC: HIGH TEMPERATURE THERMOPLASTIC , UL 94V-0
 - 1.2 CONTACT: COPPER ALLOY
 - 1.3 SHELL: METAL
 - FINISH:
 - 2.1 TERMINAL: 50u" MIN. NICKEL PLATED OVERALL
 - 2.2 CONTACT: SELECTIVE GOLD PLATED, SEE TABLE A
 - 2.3 TAIL: TIN PLATED

Pin Define	
P1	SWITCH TERM CD
P2	DAT1
P3	DAT0
P4	VSS
P5	CLK
P6	VDD
P7	CMD
P8	CD/DAT3
P9	DAT2
P10	GND
P11	GND
P12	GND

FIH P/N	TABLE A GOLD PLATING THICKNESS
A0850-0003	Au 30u"
A0850-0001	G/F

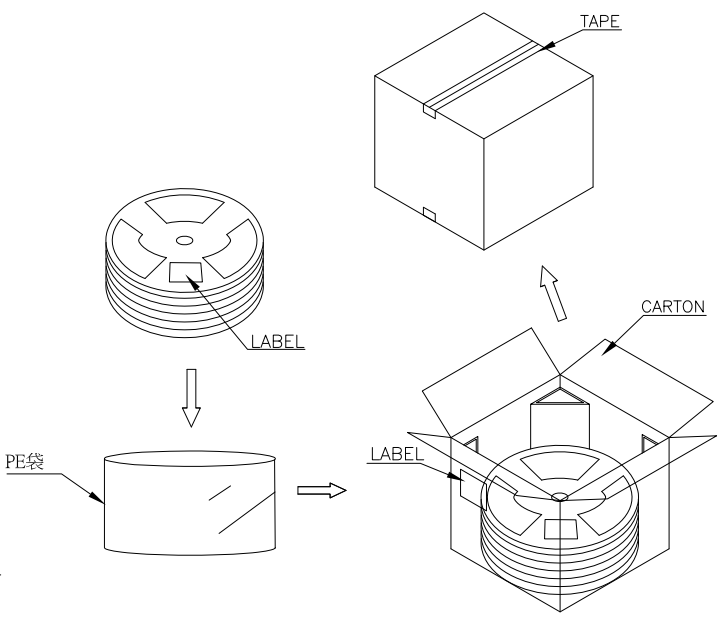
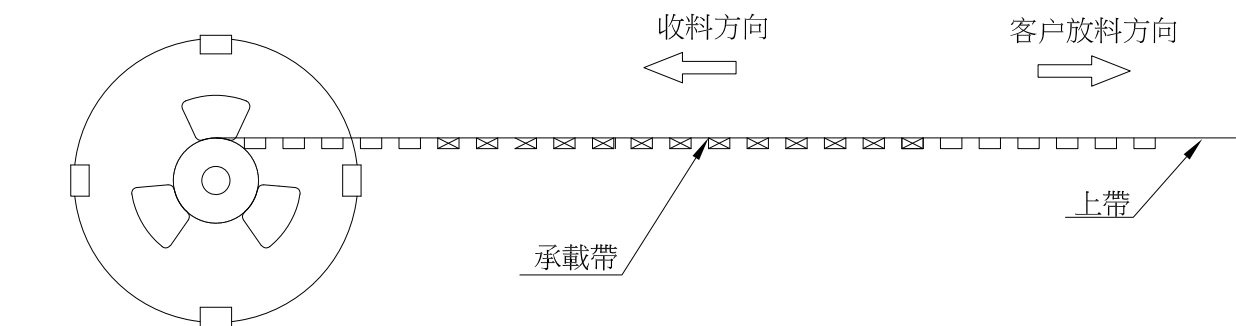
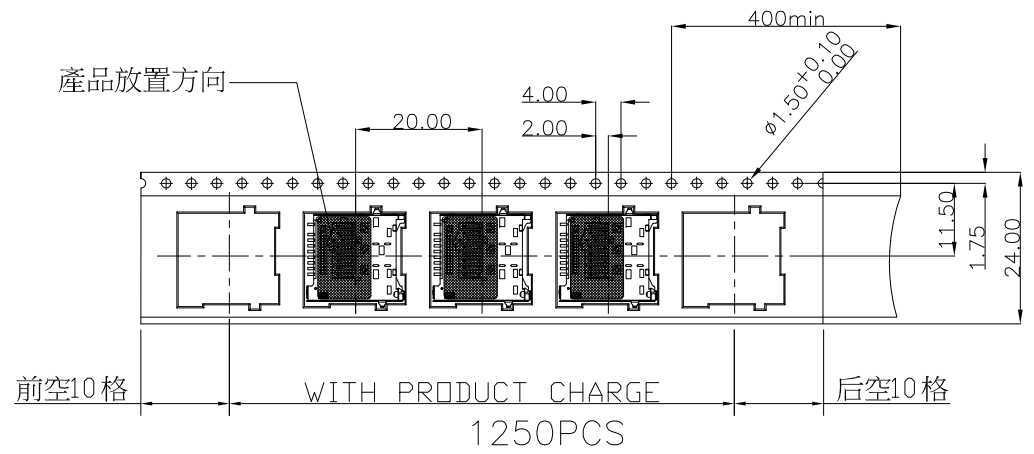
PRODUCT SPECIFICATION: DOC.No: SP-XXXX-XX	SCALE 1 : 1	DESIGN UNITS mm
TEST REPORT DOC.No: TR-XXXX-XX	DRAWN Allen	DATE 2020/10/26
GENERAL TOLERANCES (UNLESS SPECIFIED)	CHECKED	DATE
X.XXX ± 0.10	APPROVED	DATE
X.XX ± 0.25	THIRD ANGLE PROJECTION	
X.X ± 0.38		
ANGULAR ± 3°	DWG NO. SA0850-001	

CHT 群匯科技股份有限公司
CHIUN HUEI Technology CO., LTD.

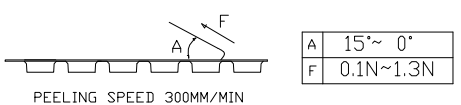
TITLE
MICRO SD PUSH-PUSH
RVS SINK H=1.45

PART NO. TABLE A	DWG REV. 01	SHEET NO. 1 OF 1
---------------------	----------------	---------------------

REVISION HISTORY			
REV	DESCRIPTION	Drawing	DATE
01	PROPOSAL	Allen	2020/10/26



1. COVER TAPE PEELING FORCE:



2. PART DIMENSIONS MEET EIA-481-2-A REQUIREMENT

TABLE A

PRODUCT P/N	PARTS PER SHIPPING CARTON	PARTS PER REEL	LOADED REEL PER SHIPPING CARTON
A0850-0003	13750	1250	11
A0850-0001			

PRODUCT SPECIFICATION DOC.No: SP-AXXX-001	SCALE 1 : 1	DESIGN UNITS mm	FULLINHOPE Technology, LTD. TITLE MICRO SD PUSH-PUSH RVS SINK H=1.45	
TEST REPORT DOC.No: TR-AXXX-001	DRAWN Allen	DATE 2020/10/26		
GENERAL TOLERANCES (UNLESS SPECIFIED)	CHECKED	DATE		
X.XXX ± 0.20	APPROVED	DATE		
X.XX ± 0.20				
XX ± 0.25				
ANGULAR ± 3°				
THIRD ANGLE PROJECTION	DWG NO. PA0850-001	PART NO. TABLE A	DWG REV. 01	SHEET NO. 1 OF 1