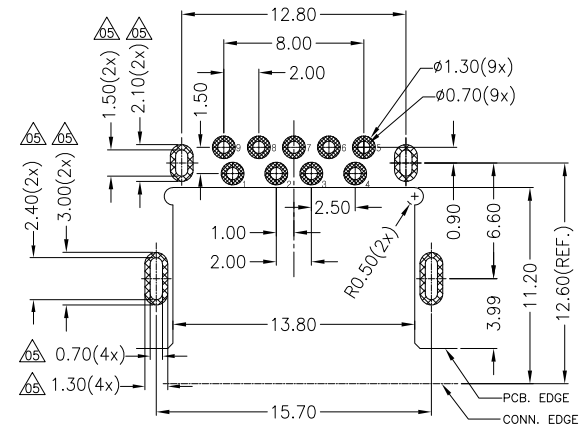
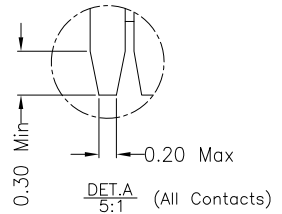
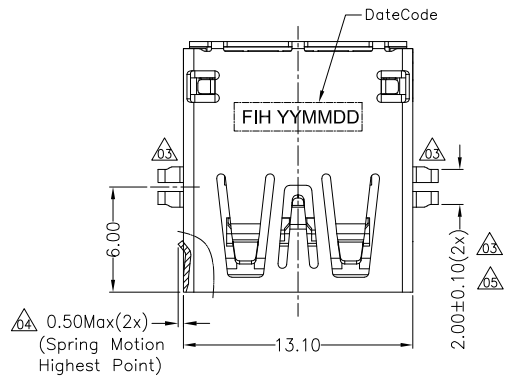
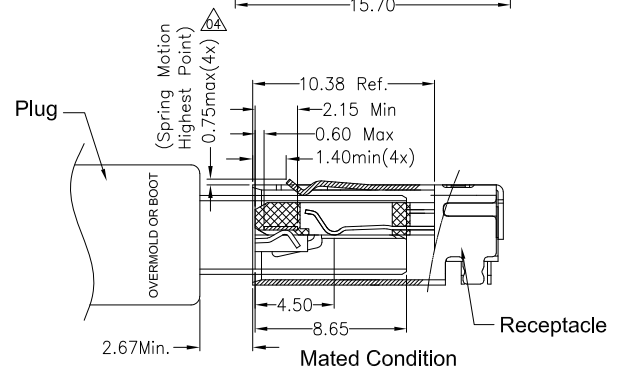
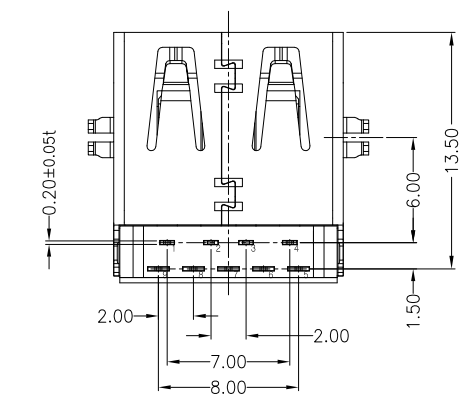
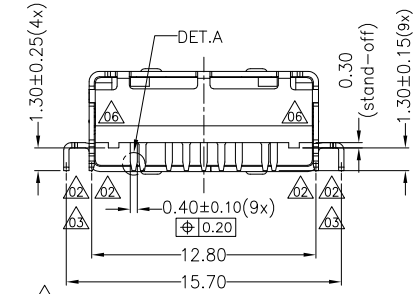
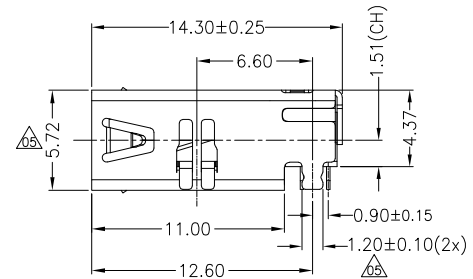
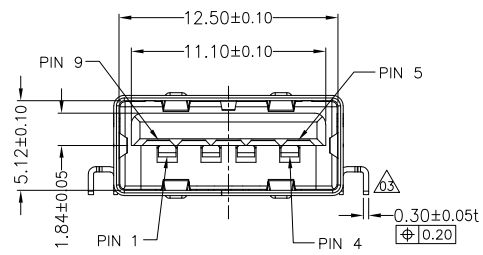
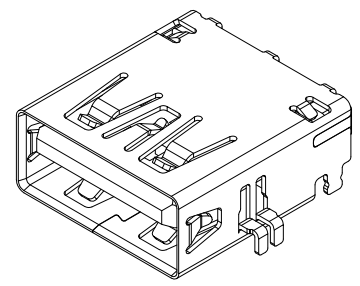


REVISION HISTORY			
REV	DESCRIPTION	Drawing	DATE
06	修改形状	Allen	2021/02/26



RECOMMENDED PCB LAYOUT (TOP VIEW)
GENERAL TOLERANCES: ±0.05

- NOTE:
- MATERIAL:
 - HOUSING/COVER : LCP + 30% G.F. UL94V-0, COLOR: BLACK
 - CONTACT: C5191.
 - SHELL: SUS201.
 - FINISH:
 - TERMINAL: 50u" MIN. NICKEL PLATED OVERALL
 - CONTACT: SELECTIVE GOLD PLATED, SEE TABLE A
 - TAIL: 100u" MIN MATTI-TIN PLATED
 - SHELL: 50u" MIN. NICKEL PLATED OVERALL



Contact Number	Signal Name
PIN1	VBUS
PIN2	D-
PIN3	D+
PIN4	GND
PIN5	StdA_SSRX-
PIN6	StdA_SSRX+
PIN7	GND_DRAIN
PIN8	StdA_SSTX-
PIN9	StdA_SSTX+
Shell	Shield

TABLE

FIH P/N	TABLE A GOLD PLATING THICKNESS
A0844-0003	Au 30u"
A0844-0001	G/F

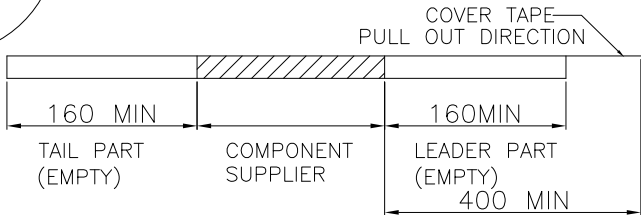
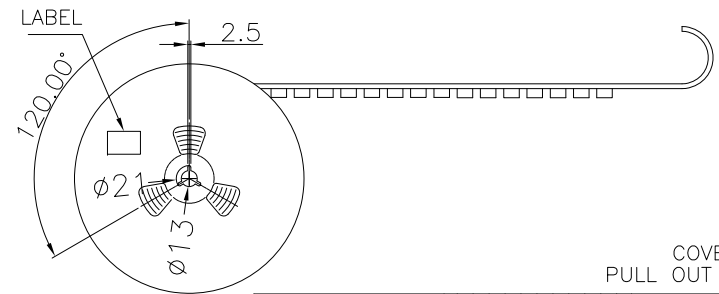
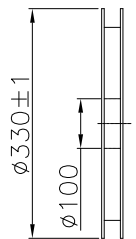
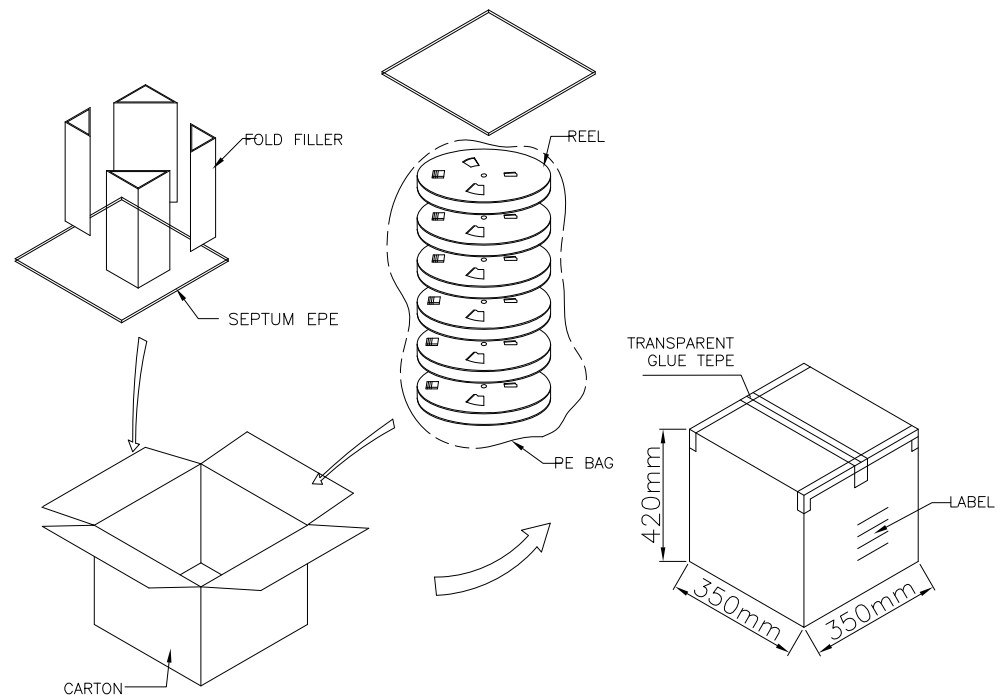
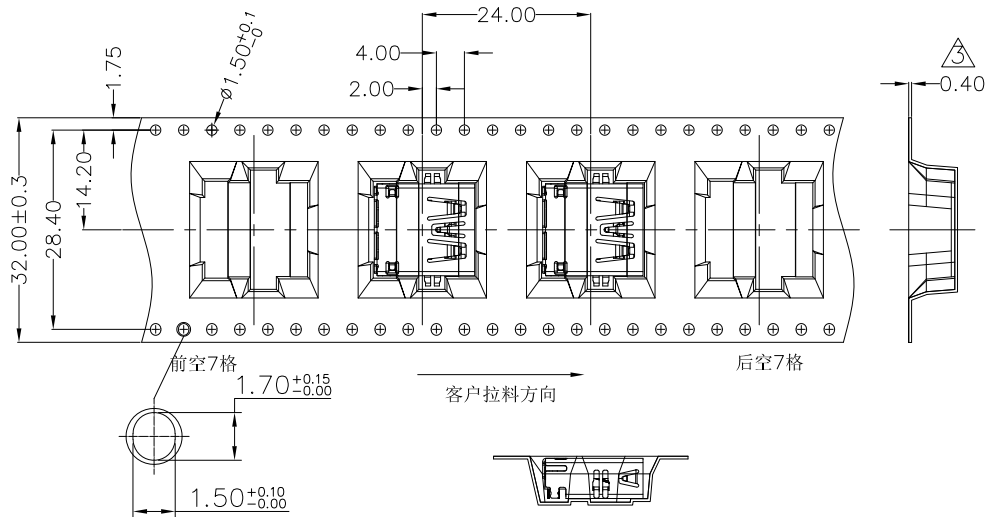
PRODUCT SPECIFICATION: DOC.No: SP-AXXX-XX	SCALE 1 : 1	DESIGN UNITS mm
TEST REPORT DOC.No: TR-AXXX-XX	DRAWN Allen	DATE 2020/09/11
GENERAL TOLERANCES (UNLESS SPECIFIED)	CHECKED	DATE
X.XXX ± 0.20	APPROVED	DATE
X.XX ± 0.20		
X.X ± 0.25		
ANGULAR ± 3°	DWG NO. SA0844-001	
THIRD ANGLE PROJECTION		

FULLINHOPE Technology, LTD.

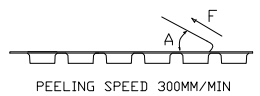
TITLE		
USB3.0 A/F 90° DIP Type CH=1.51mm Product		
PART NO. SEE TABLE	DWG REV. 06	SHEET NO. 1 OF 1

REVISION HISTORY			
REV	DESCRIPTION	Drawing	DATE
03	修改載帶厚度	Allen	2021/03/03

客户拉料方向



1.COVER TAPE PEELING FORCE:



A	15°~ 0°
F	0.1N~1.3N

PEELING SPEED 300MM/MIN

2.PART DIMENSIONS MEET EIA-481-D REQUIREMENT

TABLE

PRODUCT P/N	PARTS PER SHIPPING CARTON	PARTS PER REEL	LOADED REEL PER SHIPPING CARTON
A0844-0003	4000	400	10
A0844-0001			

PRODUCT SPECIFICATION: DOC.No: SP-Axxxx-001	SCALE 1 : 1	DESIGN UNITS mm	FULLINHOPE Technology, LTD.	
TEST REPORT DOC.No: TR-Axxxx-001	DRAWN Allen	DATE 2020/09/11	TITLE USB3.0 A/F 90° DIP Type CH=1.51mm Product	
GENERAL TOLERANCES (UNLESS SPECIFIED)	CHECKED	DATE		
X.XXX ± 0.20	APPROVED	DATE		
X.XX ± 0.20				
X.X ± 0.25				
ANGULAR ± 3°				
THIRD ANGLE PROJECTION	DWG NO. PA0844-001	PART NO. SEE TABLE	DWG REV. 03	SHEET NO. 1 OF 1