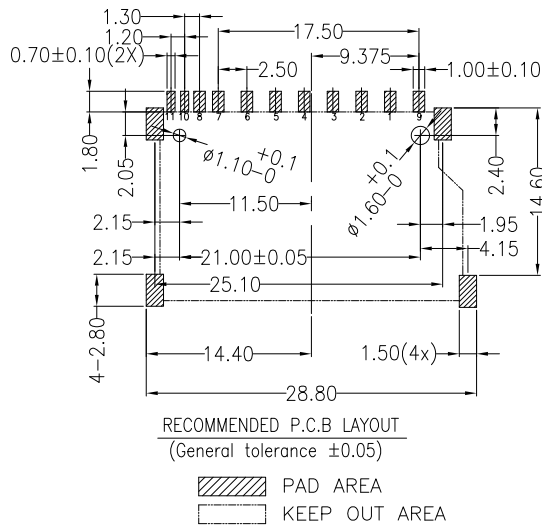
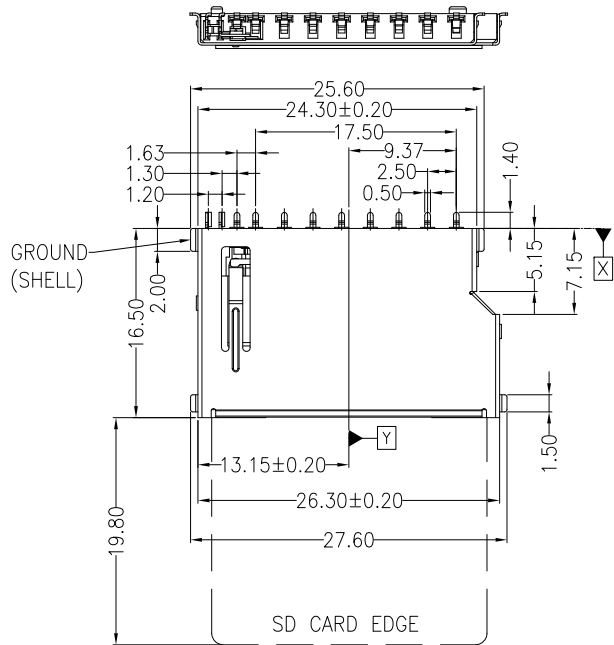
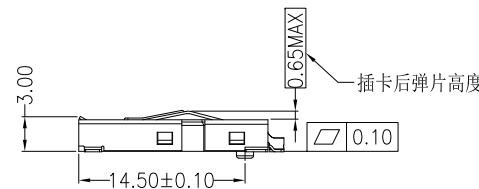
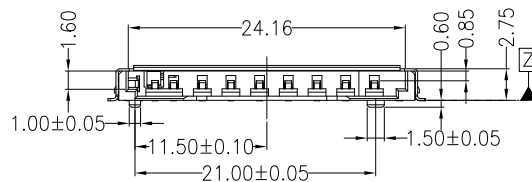


REVISION HISTORY			
REV	DESCRIPTION	Drawing	DATE
01	PROPOSAL	Allen	2020/06/02



SD CARD PIN DESIGN

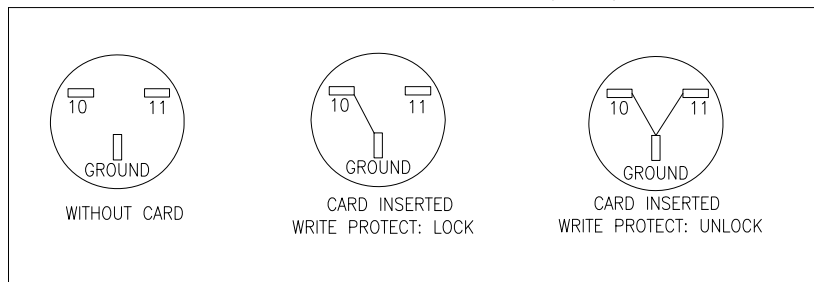
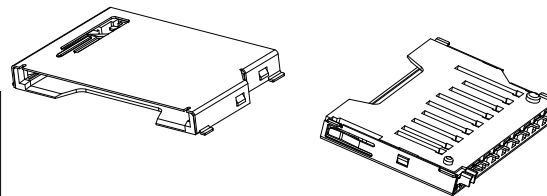
PIN NO.	NAME	DESCRIPTION
1#	CD/DAT3	CARD DETECT/DATA I/O
2#	CMD	COMMAND
3#	VSS1	GROUND
4#	VDD	POWER
5#	CLK	CLOCK
6#	VSS2	GROUND
7#	DAT0	DATA I/O
8#	DAT1	DATA I/O
9#	DAT2	DATA I/O
10#	CD	
11#	WP	



10-CARD DETECT PIN
11-WRITE PROTECT PIN
GROUND(SHELL)-COMMON PIN

NOTE:

- MATERIAL:
 - INSULATOR: HIGH TEMPERATURE THERMOPLASTIC, UL94V-0
 - CONTACT: COPPER ALLOY.
 - SHELL: METAL
- FINISH:
 - CONTACT: PLATED 50u" Ni OVERALL
PLATED 1U"min Au SELECTIVE CONTACT ARE
PLATED 80u" SN OVER Ni ON SOLDER ARE
 - SHELL: PLATED 50u" Ni OVERALL



PRODUCT SPECIFICATION: DOC.No: SP-Axxxx-xx	SCALE 1 : 1	DESIGN UNITS mm
TEST REPORT DOC.No: TR-Axxxx-xx	DRAWN Allen	DATE 2020/06/02
GENERAL TOLERANCES (UNLESS SPECIFIED)	CHECKED	DATE
X.XXX ± 0.10	APPROVED	DATE
X.XX ± 0.25		
X.X ± 0.38		
ANGULAR ± 2°	DWG NO. SA0816-001	PART NO. A0816-0001
THIRD ANGLE PROJECTION		DWG REV. 01
		SHEET NO. 1 OF 1

CHT 群匯科技股份有限公司
CHIUN HUEI Technology CO., LTD.

TITLE
SD CARD NONE PUSH H=3